

MANUALE ISTRUZIONE

| | | | | | | | |
|---------|---------|---------|---------|---------|--------|-------------|---------|
| GB..... | pag. 02 | NL..... | pag. 11 | RU..... | pag.19 | SI..... | pag.28 |
| I..... | pag. 03 | DK..... | pag.12 | H..... | pag.21 | HR/SCG..... | pag. 29 |
| F..... | pag. 05 | SF..... | pag.14 | RO..... | pag.22 | LT..... | pag.31 |
| D..... | pag. 06 | N..... | pag.15 | PL..... | pag.24 | EE..... | pag.32 |
| E..... | pag. 08 | S..... | pag.16 | CZ..... | pag.25 | LV..... | pag.33 |
| P..... | pag. 09 | G..... | pag.18 | SK..... | pag.27 | BG..... | pag.35 |

| | | | |
|----|-------------------------------|--------|--|
| GB | EXPLANATION OF DANGER. | RU | ЛЕГЕНДА СИМВОЛОВ БЕЗОПАСНОСТИ. |
| I | LEGENDA SEGNALI DI PERICOLO. | H | VÉSZJELZÉSEK FELIRATAI. |
| F | LÉGENDE SIGNAUX DE DANGER. | RO | LEGENDĂ INDICATOARE DE AVERTIZARE. |
| D | LEGENDE DER GEFAHREN. | PL | OBJAŚNIENIA SYGNAŁÓW ZAGROZENIA. |
| E | LEYENDA SEÑALES DE PELIGRO. | CZ | VYSVĚTLIVKY K SIGNÁLŮM NEBEZPEČÍ. |
| P | LEGENDA DOS SINAIŠ DE PERIGO. | SK | VYSVĚTLIVKY K SIGNÁLŮM NEBEZPEČENSTVA. |
| NL | LEGENDE SIGNALE VAN GEVAAR. | SI | LEGENDA SIGNALOVA ZA NEVARNOST. |
| DK | OVERSIGT OVER FARE. | HR/SCG | LEGENDA ZNAKOVA OPASNOSTI. |
| SF | VAROITUS, VELVOITUS. | LT | PAVOJAUS ŽENKLŲ PAAIŠKINIMAS. |
| N | SIGNALERINGSTEKST FOR FARE. | EE | OHU KIRJELDUS. |
| S | BILDTEXT SYMBOLER FOR FARE. | LV | BĪSTĀMĪBAS SIGNĀLU SARAKSTS. |
| GR | ΛΕΞΑΝΤΑ ΣΗΜΑΤΩΝ ΚΙΝΔΥΝΟΥ. | BG | ЛЕГЕНДА СЪС СИГНАЛИТЕ ЗА ОПАСНОСТ. |



DANGER OF EXPLOSION - PERICOLO ESPLOSIONE - RISQUE D'EXPLOSION - EXPLOSIONSGEFAHR - PELIGRO EXPLOSIÓN - PERIGO DE EXPLOSAO - GEVAAR ONTPLOFFING - SPRÆNGFARE - RÄJÄHDYSVAARA - FARE FOR EKSPLOSION - FARA FÖR EXPLOSION - ΚΙΝΔΥΝΟΣ ΕΚΡΗΞΗΣ - ОПАСНОСТЬ ВЗРЫВА - ROBBANÁSVESZÉLY - PERICOL DE EXPLOZIE - NIEBEZPEČENSTWO WYBUCHU - NEBEZPEČÍ VYBUCHU - NEBEZPEČENSTVO VYBUCHU - NEVARNOST EKSPLOZIJE - OPĆA OPASNOST - SPROGIMO PAVOJUS - PLAHVATUSOHT - SPRĀDZIENBĪSTĀMĪBA - ОПАСНОСТ ОТ ЭКСПЛОЗИИ.



GENERAL HAZARD - PERICOLO GENERICO - DANGER GÉNÉRIQUE - GEFAHR ALLGEMEINER ART - PELIGRO GENÉRICO - PERIGO GERAL - ALGEMEEN GEVAAR - ALMEN FARE - YLEINEN VAARA - GENERISK FARE STRÄLNING - ALLMÄN FARA - ΓΕΝΙΚΟΣ ΚΙΝΔΥΝΟΣ - ОБЩАЯ ОПАСНОСТЬ - ÁLTALÁNOS VESZÉLY - PERICOL GENERAL - OGÓLNE NIEBEZPEČENSTWO - VŠEOBECNÉ NEBEZPEČÍ - VŠEOBECNÉ NEBEZPEČENSTVO - SPOŠNA NEVARNOST - OPĆA OPASNOST - BENDRAS PAVOJUS - ÜLDINE OHT - VISPĀRĪGA BĪSTĀMĪBA - ОПАСНОСТ ОТ ОБЩ ХАРАКТЕР.



DANGER OF CORROSIVE SUBSTANCES - PERICOLO SOSTANZE CORROSIVE - SUBSTANCES CORROSIVES DANGEREUSES - ÄTZENDE GEFAHRENSTOFFE - PELIGRO SUSTANCIAS CORROSIVAS - PERIGO SUBSTÂNCIAS CORROSIVAS - GEVAAR CORROSIEVE STOFFEN - FARE, ÄTSENDE STOFFER - SYÖVYTTÄVIEN AINEIDEN VAARA - FARE: KORROSIVE SUBSTANSE - FARA FRÅTANDE ÄMNEN - ΚΙΝΔΥΝΟΣ ΔΙΑΒΡΩΤΙΚΩΝ ΟΥΣΤΩΝ - ОПАСНОСТЬ КОРРОЗИВНЫХ ВЕЩЕСТВ - MARÓ HATÁSÚ ANYAGOK VESZÉLYE - PERICOL DE SUBSTANTE COROSIVE - NIEBEZPEČENSTWO WYDZIAŁANIA SUBSTANCJI KOROZYJNYCH - NEBEZPEČÍ PLYNOUCÍ Z KOROSIVNÍCH LÁTEK - NEBEZPEČENSTVO VYPYLYVAJUČE Z KOROZIVNÝCH LÁTOK - NEVARNOST JEDKE SNOVI - OPASNOST OD KOROZIVNIH TVARI - KOROZINIŲ MEDIŽIAGŲ PAVOJUS - KORRUDEERUVATE MATERIAALIDE OHT - KOROZIJAS VIELU BĪSTĀMĪBA - ОПАСНОСТ ОТ КОРОЗИВНИ ВЕЩЕСТВА.



Symbol indicating separation of electrical and electronic appliances for refuse collection. The user is not allowed to dispose of these appliances as solid, mixed urban refuse, and must do it through authorised refuse collection centres. - Simbolo che indica la raccolta separata delle apparecchiature elettriche ed elettroniche. L'utente ha l'obbligo di non smaltire questa apparecchiatura come rifiuto municipale solido misto, ma di rivolgersi ai centri di raccolta autorizzati. - Symbole indiquant la collecte différenciée des appareils électriques et électroniques. L'utilisateur ne peut éliminer ces appareils avec les déchets ménagers solides mixtes, mais doit s'adresser à un centre de collecte autorisé. - Symbol für die getrennte Erfassung elektrischer und elektronischer Geräte. Der Benutzer hat pflichtgemäß dafür zu sorgen, daß dieses Gerät nicht mit dem gemischt erfaßten festen Siedlungsabfall entsorgt wird. Stattdessen muß er eine der autorisierten Entsorgungsstellen einschalten. - Simbolo que indica la recogida por separado de los aparatos eléctricos y electrónicos. El usuario tiene la obligación de no eliminar este aparato como desecho urbano sólido mixto, sino de dirigirse a los centros de recogida autorizados. - Simbolo que indica a reunião separada das aparelhagens eléctricas e electrónicas. O utente tem a obrigação de não eliminar esta aparelhagem como lixo municipal sólido misto, mas deve procurar os centros de recolha autorizados. - Symbool dat wijst op de gescheiden inzameling van elektrische en elektronische toestellen. De gebruiker is verplicht deze toestellen niet te lozen als gemengde vaste stadsafval, maar moet zich wenden tot de geautoriseerde ophaalcentra. - Symbol, der står for særlig indsamling af elektriske og elektroniske apparater. Brugeren har pligt til ikke at bortskaffe dette apparat som blandet, fast byaffald; der skal rettes henvendelse til et autoriseret indsamlingscenter. - Symboli, joka ilmoittaa sähkö- ja elektronikkalaitteiden erillisen keräyksen. Käyttäjän velvollisuus on kääntää valtuutettujen keräyspisteiden puoleen eikä välittää laitetta kunnallisena sekajätteenä. - Symbol som angir separat sortering av elektriske og elektroniske apparater. Brukeren må oppfylle forpliktelsen å ikke kaste bort dette apparatet sammen med vanlige hjemmeavfall, uten henvende seg til autoriserte oppsamlingsentraler. - Symbol som indikerer separat sortering av elektriska och elektroniska apparater. Användaren får inte sortera denna anordning tillsammans med blandat fast hushållsavfall, utan måste vända sig till en auktoriserad insamlingsstation. - Συμβολο που δείχνει τη διαφοροποιημένη συλλογή των ηλεκτρικών και ηλεκτρονικών συσκευών. Ο χρήστης υποχρεούται να μην δοχεύεται αυτή τη συσκευή στο μικτό στερεό αστικό απόβλητο, αλλά να απευθύνεται σε ευκεκριμένα κέντρα συλλογής. - Символ, указывающий на раздельный сбор электрического и электронного оборудования. Пользователь не имеет права выбрасывать данное оборудование в качестве смешанного твердого бытового отхода, а обязан обращаться в специализированные центры сбора отходов. - Jelölés, mely az elektromos és elektronikus felszerelések szelektív hulladékgyűjtését jelzi. A felhasználó köteles ezt a felszerelést nem a városi törmelék hulladékhalp gyűjtésén gyűjteni, hanem erre engedélyezett hulladékgyűjtő központhoz fordulni. - Simbol ce indică depozitarea separată a aparatelor electrice și electronice. Utilizatorul este obligat să nu depoziteze acest aparat împreună cu deșeurile solide mixte ci să-l predea într-un centru de depozitare a deșeurilor autorizat. - Symbol, który oznacza sortowanie odpadów aparatury elektrycznej i elektronicznej. Zabránia się likwidowania aparatury jako mieszanych odpadów miejskich stajach, obowiązkim użytkownika jest skierowanie się do autoryzowanych ośrodków gromadzących odpady. - Symbol označující separovaný sběr elektrických a elektronických zařízení. Uživatel je povinen nezlikvidovat toto zařízení jako pevný smíšený komunální odpad, ale obrátit se s ním na autorizované sběrný. - Symbol označující separovaný zber elektrických a elektronických zariadení. Užívateľ nesmie likvidovať toto zariadenie ako pevný zmiešaný komunálny odpad, ale je povinný doručiť ho do autorizovaného zberní. - Simbol, ki označuje ločeno zbiranje električnih in elektronskih aparatov. Uporabnik tega aparata ne sme zavrzi kot navaden gospodinjinski trden odpad, ampak se mora obrniti na pooblašene centre za zbiranje. - Simbol koji označava posebno sakupljanje električnih i elektronskih aparata. Korisnik ne smije odložiti ovaj aparat kao običan kruti otpad, već se mora obratiti ovlaštenim centrima za sakupljanje. - Simbolis, nurodantis atskirti nebenaudojamų elektrinių ir elektroninių prietaisų surinkimą. Vartotojas negali išmesti šiuo prietaisų kaip mišrių kietųjų komunalinių atliekų, bet privalo kreiptis į specializuotus atliekų surinkimo centrus. - Simbol, mis hāhštāb elektriskā elektronikasēadmēte eraldi kogumist. Kasutāja kohustuseks on pöörduda volitatud kogumiskeskuste poole ja mitte käsitleda seda aparati kui munitsipaalne segajäade. - Simbols, kas norāda uz to, ka utilizācija ir jāveic atsevišķi no citām elektriskajām un elektroniskajām ierīcēm. Lietotāja pienākums ir neizmest šo aparāturu municipālajā cieta atkritumu izgūztuvē, bet nogādāt to pilnvarotajā atkritumu savākšanas centrā. - Символ, който означава разделно събиране на електрическата и електронна апаратура. Ползвателят се задължава да не изхвърля тази апаратура като смесен твърд отпадък в контейнерите за смет, поставени от общината, а трябва да се обърне към специализираните за това центрове.

INSTRUCTION MANUAL



WARNING: BEFORE USING THE BATTERY CHARGER READ THE INSTRUCTION MANUAL CAREFULLY.

1. GENERAL SAFETY RULES WHEN USING THIS BATTERY CHARGER



- During the charge the battery produces explosive gases, avoid the formation of flames and sparkes. **DO NOT SMOKE.**
- Position the batteries to be charged in a well-ventilated place.



- **Inexperience and untrained people should be properly instructed before using the appliance.**
- **People (children included) whose physical, sensory or mental capacities would prevent them from using the appliance correctly must be supervised by a person who is responsible for their safety while the appliance is in use.**
- **Children must be supervised to ensure that they do not play with the appliance.**
- Use the battery charger only indoors and make sure that you start it in airy places. **DO NOT SET IN THE RAIN OR SNOW.**
- Disconnect the mains cable before connecting to or disconnecting the charging cables from the battery.
- Do not connect or disconnect the clamps to or from the battery with the battery charger operating.
- Never use the battery charger inside the car or in the bonnet.
- Substitute the mains cable only with an original one.
- Do not use the battery charger to charge batteries which are not rechargeable.
- Make sure the available power supply voltage corresponds to that shown on the battery charger rating plate.
- To avoid damaging the vehicle's electronics, read, keep and take very careful note of the information supplied by the vehicle manufacturer, when using the battery charger either for charging or starting; the same applies to the instructions supplied by the battery manufacturer.
- This battery charger has components such as switches and relays which can cause arcs or sparkes. Therefore when using it in a garage or in a similar place set the battery charger in a suitable case.
- Repair or maintenance of the inside of the battery charger can be executed only by skilled technicians.
- **WARNING: ALWAYS DISCONNECT THE POWER SUPPLY CABLE FROM THE MAINS BEFORE CARRYING OUT ANY SIMPLE MAINTENANCE OPERATION ON THE BATTERY CHARGER.**

2. INTRODUCTION AND GENERAL DESCRIPTION

- This battery charger can be used to charge free electrolyte lead acid batteries used on petrol and diesel

engine vehicles, motor cycles, boats etc. and is suitable for charging sealed batteries.

- Rechargeable batteries according to the output voltage available: 6V / 3 cells; 12V / 6 cells; 24V / 12 cells.
- The charging current delivered by the battery decreases according to the characteristic W bend - see the DIN 41774 norm.

3. INSTALLATION

POSITIONING THE BATTERY CHARGER

- During operation, position the battery charger on a stable surface and make sure that there is no obstruction to air passage through the openings provided to ensure sufficient ventilation.

CONNECTION TO POWER

- The battery charger should be connected only and exclusively to a power source with the neutral lead connected to earth.
Check that the net voltage is the same as the voltage of the equipment.
- Check that the power supply is protected by systems as fuses or automatic switches, sufficient to support the maximum absorption of welding.
- If you put an extension to the primary cable, the diameter must be the same, never inferior.
- The connection to the power has to be made using the cable.

4. OPERATION

BEFORE CHARGING

NB: Before charging check that the capacity of the battery (Ah) which is to be charged, is not inferior to that reported on the data table. (C min).

Follow the instructions, taking great care to respect the order given below.

- Remove the caps of the battery charger (if foreseen) so as to let the gas produced go out.
- Check that the level of the electrolyte covers the plates of the battery. If these were not covered add distilled water and cover them up to 5-10 mm.



WARNING: USE THE MAXIMUM CAUTION DURING THIS OPERATION AS THE ELECTROLYTE IS A HIGHLY CORROSIVE ACID.

- With the power supply cable disconnected from the power outlet, position the 6/12 V or 12/24 V charge switch (if present) according to the rated voltage of the battery to be charged.
- Check the polarities of the battery terminals: positive for the + symbol and negative for the - symbol.
NOTE: if the symbols are indistinguishable remember that the positive terminal is the one not connected to the vehicle chassis.
- Connect the red charge clamp to the positive terminal of the battery (+ symbol).
- Connect the black charge clamp to the vehicle chassis, at a safe distance from the battery and the fuel pipe.
NOTE: if the battery is not installed in the vehicle, connect the clamp directly to the negative terminal of the battery (- symbol).

CHARGING

- Power the battery charger by inserting the power supply cable into the power outlet and turning the switch (if present) to ON.
- The ammeter (if present) will indicate the current (in Amps) delivered towards the battery: during this phase the pointer of the ammeter will decrease slowly to very low values according to the capacity and condition of the battery.

FIG.A

NOTE: Once the battery is charged you may note the liquid

inside the battery starting to "boil". It is advisable to stop charging when this phenomenon appears so as to prevent damage to the battery.

ATTENTION : BATTERIES HERMÉTIQUES

En cas de nécessité de charger ce type de batterie, faire preuve d'une extrême attention. Procéder lentement à la charge en contrôlant constamment la tension aux bornes de la batterie. Si la tension, mesurable au moyen d'un testeur courant, atteint 14,4V pour les batteries à 12V (7,2V pour les batteries à 6V et 28,8V pour les batteries à 24V), il est conseillé d'interrompre la charge.


END OF CHARGE

- Disconnect the power supply to the battery charger by disconnecting the cable from the mains outlet.
- Disconnect the black charge clamp from the chassis of the vehicle or from the negative terminal of the battery (- symbol).
- Disconnect the red charge clamp from the positive terminal of the battery (+ symbol).
- Store the battery charger in a dry place.
- Close up the battery cells with the appropriate plugs (if present).

5. BATTERY CHARGER PROTECTIONS (FIG. B)

The battery charger is equipped with protection in case of:

- Overloads (too much current delivered towards the battery).
- Short circuit (charging clamps set in contact with one another).
- Polarity reversal of the battery.
- For battery chargers equipped with fuses, it is necessary, in case of substitution of fuses, to use spares having the same nominal current value as the fuse changed.

 **WARNING: If fuses with current values different from those given were used damages to persons and things could be caused. For the same reason do not substitute the fuse with copper (or other materials) bridge.**

The substitution of the fuses is to be done when the mains cable is disconnected from the mains.

REPLACEMENT OF THE INTERNAL PROTECTION FUSE (FIG. C)

- 1 - Disconnect the power supply cable from the mains.
- 2 - Open the battery charger.
- 3 - Replace the fuse with one having the same value.
- 4 - Close the battery charger.

(1)

MANUALE D'ISTRUZIONE



ATTENZIONE: PRIMA DI UTILIZZARE IL CARICABATTERIE LEGGERE ATTENTAMENTE IL MANUALE D'ISTRUZIONE!

1. SICUREZZA GENERALE PER L'USO DI QUESTO CARICABATTERIE



- Durante la carica le batterie emanano gas esplosivi, evitate che si formino fiamme e scintille. **NON FUMARE.**
- Posizionare le batterie in carica in un luogo areato.



- **Le persone inesperte devono essere opportunamente istruite prima di utilizzare l'apparecchio.**
- **Le persone (bambini compresi) le cui capacità fisiche, sensoriali, mentali siano insufficienti ai fini di utilizzare correttamente l'apparecchio devono essere sorvegliate da una persona responsabile della loro sicurezza durante l'uso dello stesso.**
- **I bambini devono essere sorvegliati per sincerarsi che non giochino con l'apparecchio.**
- Usare il caricabatterie esclusivamente all'interno e assicurarsi di operare in ambienti ben areati: **NON ESPORRE A PIOGGIA O NEVE.**
- Disinserire il cavo di alimentazione dalla rete prima di connettere o sconnettere i cavi di carica dalla batteria.
- Non collegare né scollegare le pinze alla batteria con il caricabatterie funzionante.
- Non usare nel modo più assoluto il caricabatterie all'interno di un'autovettura o del cofano.
- Sostituire il cavo di alimentazione solo con un cavo originale.
- Non utilizzare il caricabatterie per ricaricare batterie di tipo non ricaricabili.
- Verificare che la tensione di alimentazione disponibile sia corrispondente a quella indicata sulla targa dati del caricabatterie.
- Per non danneggiare l'elettronica dei veicoli, leggere, conservare, rispettare scrupolosamente le avvertenze fornite dai costruttori dei veicoli stessi, quando si utilizza il caricabatterie sia in carica che in avviamento; lo stesso vale per le indicazioni fornite dal costruttore di batterie.
- Questo caricabatterie comprende parti, quali interruttori o relè, che possono provocare archi o scintille; pertanto se usato in una autorimessa o in un ambiente simile, porre il caricabatterie in un locale o in una custodia adatta allo scopo.
- Interventi di riparazione o manutenzione all'interno del caricabatterie devono essere eseguiti solo da personale esperto.
- **ATTENZIONE: DISINSERIRE SEMPRE IL CAVO DI ALIMENTAZIONE DALLA RETE PRIMA DI EFFETTUARE QUALSIASI INTERVENTO DI SEMPLICE MANUTENZIONE DEL CARICABATTERIE, PERICOLO!**

2. INTRODUZIONE E DESCRIZIONE GENERALE

- Questo caricabatterie permette la carica di batterie al piombo ad elettrolita libero usate su veicoli a motore (benzina e diesel), motocicli, imbarcazioni, etc..
- Accumulatori ricaricabili in funzione della tensione di uscita disponibile: 6V / 3 celle; 12V / 6 celle; 24V / 12 celle.
- La corrente di carica fornita dall'apparecchio decresce secondo la curva caratteristica W ed è in accordo con la norma DIN 41774.

3. INSTALLAZIONE

UBICAZIONE DEL CARICABATTERIE

- Durante il funzionamento posizionare in modo stabile il caricabatterie e assicurarsi di non ostruire il passaggio d'aria attraverso le apposite aperture garantendo una sufficiente ventilazione.

COLLEGAMENTO ALLA RETE

- Il caricabatterie deve essere collegato esclusivamente ad un sistema di alimentazione con conduttore di neutro collegato a terra.
Controllare che la tensione di rete sia equivalente alla tensione di funzionamento.
- La linea di alimentazione dovrà essere dotata di sistemi di protezione, quali fusibili o interruttori automatici, sufficienti per sopportare l'assorbimento massimo dell'apparecchio.
- Il collegamento alla rete è da effettuarsi con apposito cavo.
- Eventuali prolunghe del cavo di alimentazione devono avere una sezione adeguata e comunque mai inferiore a quella del cavo fornito.

4. FUNZIONAMENTO

PREPARAZIONE PER LA CARICA

NB: Prima di procedere alla carica, verificare che la capacità delle batterie (Ah) che si intendono sottoporre a carica non sia inferiore a quella indicata in targa (C min).

Eseguire le istruzioni seguendo scrupolosamente l'ordine sotto riportato.

- Rimuovere i coperchi della batteria (se presenti), così che il gas che si producono durante la carica possano fuoriuscire.
- Controllare che il livello dell'elettrolita ricopra le piastre delle batterie; se queste risultassero scoperte aggiungere acqua distillata fino a sommergerle di 5 - 10 mm.

⚠ ATTENZIONE! PRESTARE LA MASSIMA CAUTELE DURANTE QUESTA OPERAZIONE IN QUANTO L'ELETTROLITA E' UN ACIDO ALTAMENTE CORROSIVO.

- Con cavo di alimentazione staccato dalla presa di rete posizionare il deviatore di carica 6/12 V o 12/24 V (se presente) in funzione della tensione nominale della batteria da caricare.
- Verificare la polarità dei morsetti della batteria: positivo il simbolo + e negativo il simbolo -.
NOTA: se i simboli non si distinguono si ricorda che il morsetto positivo è quello non collegato al telaio della macchina.
- Collegare la pinza di carica di colore rosso al morsetto positivo della batteria (simbolo +).
- Collegare la pinza di carica di colore nero al telaio della macchina, lontano dalla batteria e dal condotto del carburante.
NOTA: se la batteria non è installata in macchina, collegarsi direttamente al morsetto negativo della batteria (simbolo -).

CARICA

- Alimentare il caricabatterie inserendo il cavo di alimentazione nella presa di rete.
- L'amperometro (se presente) indica la corrente (in Ampere) di carica della batteria: durante questa fase si osserverà che l'indicazione dell'amperometro diminuirà lentamente fino a valori molto bassi in funzione della capacità e delle condizioni della batteria.

FIG. A

NOTA: Quando la batteria è carica si potrà inoltre notare un principio di "ebollizione" del liquido contenuto nella batteria. Si consiglia di interrompere la carica già all'inizio di questo fenomeno onde evitare danneggiamenti della batteria.

⚠ ATTENZIONE: BATTERIE ERMETICHE.

Se si presentasse la necessità di effettuare la carica di questo tipo di batterie prestare la massima attenzione. Effettuare una carica lenta tenendo sotto controllo la tensione ai morsetti della batteria. Quando questa tensione, facilmente rilevabile con un comune tester, raggiunge i 14,4V per le batterie a 12V (7,2 per le batterie a 6V e 28,8V per le batterie a 24V) si consiglia di interrompere la carica.

FINE CARICA

- Togliere alimentazione al caricabatterie scollegando il cavo stesso dalla presa di rete.
- Scollegare la pinza di carica di colore nero dal telaio della macchina o dal morsetto negativo della batteria (simbolo -).
- Scollegare la pinza di carica di colore rosso dal morsetto positivo della batteria (simbolo +).
- Riporre il caricabatterie in luogo asciutto.
- Richiudere le celle della batteria con gli appositi tappi (se presenti).

5. PROTEZIONI DEL CARICABATTERIE (FIG. B)

Il caricabatterie è munito di protezione che interviene in caso di:

- Sovraccarico (eccessiva erogazione di corrente verso la batteria).
- Cortocircuito (pinze di carica messe a contatto fra di loro).
- Inversione di polarità sui morsetti della batteria.
- Negli apparecchi muniti di fusibili è obbligatorio in caso di sostituzione, usare ricambi analoghi aventi lo stesso valore di corrente nominale.

⚠ ATTENZIONE: Sostituire il fusibile con valori di corrente diversi da quelli indicati in targa potrebbe provocare danni a persone o cose. Per lo stesso motivo, evitare nel modo più assoluto la sostituzione del fusibile con ponti di rame o altro materiale. L'operazione di sostituzione del fusibile va sempre eseguita con il cavo di alimentazione STACCATO dalla rete.

Sostituzione fusibile di protezione interno (FIG. C)

- 1 - Disinserire il cavo di alimentazione dalla rete.
- 2 - Aprire il caricabatterie.
- 3 - Sostituire il fusibile con un altro di uguale valore.
- 4 - Richiudere il caricabatterie.

MANUEL D'INSTRUCTIONS



ATTENTION: LIRE ATTENTIVEMENT LE MANUEL D'INSTRUCTIONS AVANT TOUTE UTILISATION DU CHARGEUR DE BATTERIE !

1. INSTRUCTIONS GÉNÉRALES DE SÉCURITÉ POUR L'UTILISATION DE CE CHARGEUR DE BATTERIE



- Les batteries dégagent des gaz explosifs durant la charge, éviter toute flamme ou étincelle, **NE PAS FUMER**.
- Positionner les batteries sous charge dans un endroit aéré.



- **Fournir aux personnes dont l'expérience est insuffisante des informations adéquates avant toute utilisation de l'appareil.**
- **Ne pas laisser les personnes (y compris les enfants) possédant des capacités mentales, physiques et sensorielles réduites utiliser l'appareil sans les indications et la surveillance d'une personne responsable de leur sécurité.**
- **Surveiller les enfants et les empêcher de jouer avec l'appareil.**
- Utiliser exclusivement le chargeur de batterie dans des lieux fermés et s'assurer que les locaux sont correctement aérés durant l'opération, **NE PAS EXPOSER L'APPAREIL À LA PLUIE OU À LA NEIGE**.
- Débrancher le câble d'alimentation avant de connecter ou de déconnecter les câbles de charge de la batterie.
- Ne pas connecter ou déconnecter les pinces de la batterie quand le chargeur est en fonctionnement.
- N'utiliser sous aucun prétexte le chargeur de batterie à l'intérieur du véhicule ou dans le coffre.
- Remplacer exclusivement le câble d'alimentation par un câble original.
- Ne pas utiliser le chargeur de batterie pour recharger des batteries non rechargeables.
- Vérifier que la tension d'alimentation disponible correspond à celle indiquée sur la plaquette signalétique du chargeur de batterie.
- Pour ne pas endommager la partie électronique des véhicules, lire, conserver et respecter scrupuleusement les avertissements des constructeurs des véhicules, en cas d'utilisation du chargeur de batterie tant pour la recharge que pour le démarrage ces prescriptions s'appliquent également aux indications fournies par le constructeur des batteries.
- Ce chargeur de batterie comporte des parties, comme interrupteurs ou relais, risquant de provoquer des arcs électriques ou des étincelles par conséquent, en cas d'utilisation dans un garage ou un lieu du même type, placer le chargeur de batterie dans un local ou une protection adéquats.
- Les interventions de réparation ou d'entretien à l'intérieur du chargeur de batterie doivent exclusivement être effectuées par un personnel qualifié.

- **ATTENTION: TOUJOURS DÉBRANCHER LE CÂBLE D'ALIMENTATION AVANT TOUTE INTERVENTION D'ENTRETIEN DU CHARGEUR DE BATTERIE, DANGER!**

2. INTRODUCTION ET DESCRIPTION GÉNÉRALE

- Ce chargeur de batterie permet de recharger les batteries au plomb à électrolyte libre utilisées sur véhicules à moteur (essence et diesel), motocyclettes, embarcations, etc. et peut être utilisé pour charger des batteries hermétiques.
- Accumulateurs rechargeables en fonction de la tension de sortie disponible: 6V / 3 cellules; 12V / 6 cellules; 24V / 12 cellules.
- Le courant de charge fourni par l'appareil décroît selon la courbe caractéristique W et est conforme à la norme DIN 41774.

3. INSTALLATION LIEU D'INSTALLATION DU CHARGEUR DE BATTERIE

- Durant le fonctionnement, installer le chargeur de batterie en position stable et s'assurer de ne pas obstruer le passage de l'air à travers les ouvertures prévues afin de garantir une ventilation adéquate.

BRANCHEMENT À L'ALIMENTATION SECTEUR

- Le chargeur de batterie doit exclusivement être connecté à un système d'alimentation avec conducteur de neutre branché à la terre. Contrôler que la tension secteur correspond à la tension de fonctionnement.
- La ligne d'alimentation doit être équipée d'un système de protection comme fusibles ou interrupteurs automatiques en mesure de supporter l'absorption maximale de l'appareil.
- Le branchement au réseau secteur doit être effectué avec le câble prévu.
- Les rallonges éventuelles du câble d'alimentation doivent présenter une section adéquate, et dans tous les cas non inférieure à celle du câble fourni.

4. FONCTIONNEMENT PRÉPARATION POUR LA CHARGE

NB: Avant de procéder à la charge, contrôler que la capacité des batteries (Ah) devant être soumises à la charge n'est pas inférieure à celle indiquée sur la plaque (C min).

Se conformer scrupuleusement à la séquence d'instructions ci-dessous.

- Retirer les couvercles de la batterie (si prévus) pour permettre la sortie des gaz se dégageant durant la charge.
- Contrôler que le niveau de l'électrolyte recouvre les plaques des batteries si ces dernières sont à découvert, ajouter de l'eau distillée jusqu'à les recouvrir de 5 -10mm.



ATTENTION: EFFECTUER CETTE OPÉRATION AVEC UNE ATTENTION EXTRÊME, L'ÉLECTROLYTE ÉTANT UN ACIDE HAUTEMENT CORROSIF.

- Après avoir débranché le câble d'alimentation, positionner le déviateur de charge 6/12 V ou 12/24 V (si prévu) en fonction de la tension nominale de la batterie à charger.
- Contrôler la polarité des bornes de la batterie: symbole positif + et symbole négatif -.
- REMARQUE:** en cas d'impossibilité de distinguer les symboles, la borne positive est celle non branchée au châssis de la machine.
- Connecter la pince de charge de couleur rouge à la borne positive de la batterie (symbole +).
- Connecter la pince de charge de couleur noire au

châssis de la machine, loin de la batterie et de la conduite du carburant.

REMARQUE: si la batterie n'est pas installée sur la machine, se brancher directement à la borne négative de la batterie (symbole -).

(D)

BEDIENUNGSANLEITUNG



ACHTUNG: VOR DER BENUTZUNG DES LADEGERÄTES LESEN SIE BITTE AUFMERKSAM DIE BETRIEBSANLEITUNG!

CHARGE

- Alimenter le chargeur de batterie en insérant le câble d'alimentation dans la prise secteur et placer l'interrupteur sur ON (si prévu).
- L'ampèremètre (si prévu) indique le courant (exprimé en ampères) de charge de la batterie: durant cette phase, l'indication de l'ampèremètre diminue lentement jusqu'à atteindre des valeurs très basses en fonction de la capacité et des conditions de la batterie.

FIG.A

REMARQUE: Quand la batterie est chargée, il se produit un début "d'ébullition" du liquide contenu dans la batterie. Il est conseillé d'interrompre la charge au début de ce phénomène afin d'éviter tout endommagement de la batterie.



ATTENTION : BATTERIES HERMÉTIQUES

En cas de nécessité de charger ce type de batterie, faire preuve d'une extrême attention. Procéder lentement à la charge en contrôlant constamment la tension aux bornes de la batterie. Si la tension, mesurable au moyen d'un testeur courant, atteint 14,4V pour les batteries à 12V (7,2V pour les batteries à 6V et 28,8V pour les batteries à 24V), il est conseillé d'interrompre la charge.

FIN DE CHARGE

- Couper l'alimentation du chargeur de batterie en débranchant le câble de la prise secteur.
- Débrancher la pince de charge de couleur noire du châssis de la voiture ou de la borne négative de la batterie (symbole -).
- Débrancher la pince de charge de couleur rouge de la borne positive de la batterie (symbole +).
- Ranger le chargeur de batteries dans un endroit sec.
- Refermer les éléments de la batterie à l'aide des bouchons (si prévus).

5. PROTECTIONS DU CHARGEUR DE BATTERIES (FIG.B)

Le chargeur de batterie est équipé d'une protection intervenant dans les cas suivants:

- Surcharge (distribution excessive de courant vers la batterie).
- Court-circuit (mise en contact des pinces de charge).
- Inversion de polarité sur les bornes de la batterie.
- Sur les appareils munis de fusibles, remplacer obligatoirement ces derniers par des fusibles de recharge ayant la même valeur de courant nominal.



ATTENTION: le fait de remplacer le fusible par un autre de valeurs différentes de celles indiquées sur la plaque comporte des risques pour les personnes ou les appareils. Pour la même raison, ne remplacer en aucun cas le fusible par des shunts en fil de cuivre ou autre matériau.

L'opération de remplacement du fusible doit être effectuée avec le câble d'alimentation DÉBRANCHÉ.

Remplacement du fusible de protection interne (FIG.C)

- 1- Retirer le câble d'alimentation du réseau secteur
- 2- Ouvrir le chargeur de batterie.
- 3- Remplacer le fusible par un autre de même valeur.
- 4- Refermer le chargeur de batterie.



- Während des Ladens entweichen aus der Batterie Explosivgase, vermeiden Sie daher offene Flammen oder Funkenflug. NICHT RAUCHEN.
- Stellen Sie die Batterien während des Ladevorganges an einen gut belüfteten Ort.



- Unerfahrene Personen müssen vor dem Gebrauch des Gerätes in angemessener Weise unterwiesen werden.
- Erwachsene und Kinder, deren körperliche, sensorische und geistige Fähigkeiten für den korrekten Gebrauch des Gerätes nicht ausreichen, müssen von einer Person beaufsichtigt werden, die während der Benutzung des Gerätes für die Sicherheit der genannten Personen verantwortlich ist.
- Kinder sind zu beaufsichtigen, um sicherzustellen, dass sie nicht mit dem Gerät spielen.
- Verwenden Sie das Gerät nur in geschlossenen Räumen und sorgen Sie für gut gelüftete Arbeitsplätze. NICHT DEM REGEN ODER SCHNEE AUSSETZEN.
- Ziehen Sie das Netzkabel aus der Steckdose, bevor Sie die Ladungskabel der Batterie anschliessen oder ausstecken.
- Nicht die Zangen an die Batterie einstecken oder ausstecken bei funktionierendem Ladegerät.
- Auf keinen Fall soll das Gerät im Inneren des Autos oder der Motorhaube benutzt werden.
- Ersetzen Sie das Netzkabel nur durch ein Originalkabel.
- Verwenden Sie das Ladegerät nicht für die Ladung von Batterien, die nicht nachgeladen werden können.
- Prüfen Sie, ob die verfügbare Versorgungsspannung der Angabe auf dem Datenschild des Ladegerätes entspricht.
- Um die Fahrzeugelektronik nicht zu beschädigen, lesen Sie die Betriebsanleitungen des Fahrzeugherstellers durch, bewahren sie auf und beachten sie strikt, wenn das Ladegerät zum Laden oder Starten benutzt wird. Das Gleiche gilt für die Anleitungen des Batterieherstellers.
- Dieses Ladegerät enthält Teile wie z. B. einen Abschalter oder ein Relais, die Funken oder Lichtbögen erzeugen können. Deswegen sollte das Gerät, wenn es in einer Garage oder an einem ähnlichen Ort verwendet wird, an einer geschützten Stelle unter Aufsicht in Betrieb genommen werden.
- Reparatur- oder Instandhaltungsarbeiten im Inneren des Gerätes dürfen nur von geschultem Personal vorgenommen werden.
- **ACHTUNG! BEVOR SIE DIE GERINGSTE**

WARTUNGSARBEIT AM GERÄT DURCHFÜHREN, UNBEDINGT DAS GERÄT AUSSTECKEN: GEFAHR!!

2. EINFÜHRUNG UND ALLGEMEINE BESCHREIBUNG

- Dieses Ladegerät gestattet das Laden von Bleibatterien mit freiem Elektrolyt, die auf Motorfahrzeugen (Benzin und Diesel), Motorrädern, Booten etc. benutzt werden. Es ist zum Laden hermetischer Batterien geeignet.
- Aufladbare Akkumulatoren, je nach der bereitgestellten Ausgangsspannung: 6V / 3 Zellen; 12V / 6 Zellen; 24V / 12 Zellen.
- Der vom Gerät erzeugte Ladestrom nimmt gemäss der charakteristischen W-Kurve ab und stimmt mit der DIN 41774 Norm überein.

3. INSTALLATION LAGE DES LADEGERÄTES

- Während des Betriebes positionieren Sie das Ladegerät in einer stabilen Lage und stellen Sie sicher, daß die Luftwege durch die entsprechenden Öffnungen nicht verstopft ist, damit eine ausreichende Luftzufuhr sichergestellt ist.

NETZANSCHLUSS

- Das Batterieladegerät darf ausschließlich an ein Versorgungsnetz mit geerdetem Nullleiter angeschlossen werden. Überprüfen Sie, ob die Netzspannung gleich der Betriebsspannung ist.
- Die Netzleitung muß mit Schutzvorrichtungen wie Sicherungen oder automatische Schaltern ausgestattet sein, welche die Höchstaufnahme des Gerätes aushalten.
- Der Netzanschluß muß mit dem passenden Kabel vorgenommen werden.
- Verlängerungen des Anschlußkabels müssen einen passenden Querschnitt haben, auf keinen Fall dürfen sie aber einen Querschnitt haben, der geringer ist als der des beiliegenden Kabels.

4. BETRIEB

VORBEREITUNG AUF DAS LADEN

Bevor Sie zum Laden übergehen, überprüfen Sie, ob die Kapazität der Batterie (Ah) nicht unter den Werten liegt, die auf dem Typenschild (Cmin) angegeben sind.

Folgen Sie strikt der Reihenfolge der untenstehenden Anweisung.

- Nehmen Sie die Deckel der Batterie ab, wenn vorgesehen, damit die Gase, die während des Ladens entstehen, entweichen können.
- Kontrollieren Sie, ob die Elektrolytflüssigkeit die Batterieplatten bedeckt.; Falls diese freiliegen sollten, geben Sie etwas destilliertes Wasser nach, bis sie 5-10 mm. untergetaucht sind.

 ACHTUNG: BEI DIESER ARBEIT IST ÄUSSERSTE VORSICHT ANGEBRACHT, DA ES SICH BEI DER ELEKTROLYTFLÜSSIGKEIT UM EINE ÄTZENDE SÄURE HANDELT.

- Zunächst das Versorgungskabel von der Netzdose trennen, dann den Umschalter für die Ladespannung 6/12 V oder 12/24 V (falls vorhanden) auf die Nennspannung der zu ladenden Batterie einstellen.
- Prüfen Sie die Polarität der Batterieklemmen: Das Symbol + steht für positive, das Symbol - für negative Polung.

ANMERKUNG: Wenn man die Symbole nicht erkennen kann, helfen Sie sich mit dem Gedanken, daß die Plusklemme nicht mit dem Fahrzeuggestell verbunden wird.

- Verbinden Sie die rote Ladeklemme mit dem Pluspol der Batterie (Zeichen +).

- Verbinden Sie die schwarze Ladeklemme mit dem Fahrzeuggestell, möglichst weit von der Batterie und der Treibstoffleitung entfernt.

ANMERKUNG: Wenn die Batterie sich nicht im Fahrzeug befindet, schließen Sie die schwarze Klemme direkt an den Minuspol der Batterie an (Zeichen -).

LADEN

- Das Batterieladegerät durch Einführen des Versorgungskabels in die Netzdose speisen und den Schalter auf ON stellen (falls vorhanden).
- Das Amperemeter gibt, falls das Gerät damit ausgestattet ist, den Batterieladestrom (in Ampere) an. Während des Ladens kann man beobachten, dass die Anzeige des Amperemeters langsam hinuntergeht, bis Sie schliesslich je nach Kapazität und Batteriezustand sehr geringe Werte erreicht.

ABB.A

ANMERKUNG: Wenn die Batterie sich auflädt, ist unter Umständen zu beobachten, daß die Batterieflüssigkeit zu kochen beginnt. Wir empfehlen, diesen Vorgang schon zu Beginn des Ladevorganges zu unterbrechen, um Schäden an der Batterie zu verhindern.

 ACHTUNG: HERMETISCHE BATTERIEN.

Sollte es erforderlich sein, diese Art von Batterie aufzuladen, ist größte Vorsicht geboten. Führen Sie die langsame Ladung aus, die Spannung an den Batterieklemmen muß dabei unter Kontrolle gehalten werden. Wenn diese Spannung, die mit einem handelsüblichen Spannungsprüfer leicht gemessen werden kann, bei 12V-Batterien 14,4V erreicht (7,2V bei 6V-Batterien und 28,8V bei 24V-Batterien) sollte der Ladevorgang unterbrochen werden.


ENDE DES LADEVORGANGES

- Unterbrechen Sie durch Ziehen des Kabels aus der Netzdose die Stromversorgung des Netzgerätes.
- Lösen Sie die schwarze Ladeklemme vom Fahrzeuggestell oder dem Minuspol der Batterie (Zeichen -).
- Lösen Sie die rote Ladeklemme vom Pluspol der Batterie (Zeichen +).
- Stellen Sie das Ladegerät an einem trockenen Ort ab.
- Verschließen Sie die Batteriezellen wieder mit den entsprechenden Stopfen (falls vorhanden).

5. SCHUTZEINRICHTUNGEN DES BATTERIELADEGERÄTES (ABB. B)

Das Ladegerät verfügt über Schutzeinrichtungen, die in folgenden Fällen einschreiten:

- Überladung (zuviel Strom wird auf die Batterie übertragen).
- Kurzschluss (Ladeklemmen haben Kontakt untereinander).
- Falschpolung der Batterieklemmen.
- Bei Geräten, die mit Sicherungen ausgestattet sind, ist es unbedingt notwendig, dass beim Austausch Ersatzteile mit gleichem nominalen Stromwert verwendet werden.

 ACHTUNG: Wenn Sicherungen mit anderen als auf dem Typenschild angegebenen Werten verwendet werden, können Personen- und Sachschäden entstehen. Aus dem gleichen Grund ersetzen Sie auf keinem Fall Sicherungen durch Kupferbrücken oder anderes Material.

Sicherungswechsel nur vornehmen, wenn das Versorgungskabel vom Netz GETRENNT ist.

Ersetzung der internen Schutzsicherung (ABB.C)

- 1- Das Versorgungskabel vom Netz trennen.
- 2- Das Ladegerät öffnen.
- 3- Die Sicherung durch eine Sicherung mit dem gleichen Wert ersetzen.
- 4- Das Ladegerät wieder schließen.

(E)

MANUAL DE INSTRUCCIONES



ATENCIÓN: ANTES DE UTILIZAR EL CARGADOR DE BATERÍAS LEER ATENTAMENTE EL MANUAL DE INSTRUCCIONES.

1. SEGURIDAD GENERAL PARA EL USO DE ESTE CARGADOR DE BATERÍAS



- Durante la carga, las baterías emanan gases explosivos, evitar que se formen llamas o chispas. NO FUMAR.
- Colocar las baterías en carga en un lugar aireado.



- Las personas sin experiencia deben recibir la formación adecuada antes de utilizar el aparato.
- Las personas (incluidos niños) cuyas capacidades físicas, sensoriales, mentales sean insuficientes para utilizar correctamente el aparato deben ser vigiladas por una persona responsable de su seguridad durante el uso del mismo.
- Q los niños deben estar vigilados para asegurarse de que no juegan con el aparato.
- Utilizar el cargador de baterías exclusivamente en interiores y asegurarse de trabajar en lugares bien aireados: NO EXPONER A LLUVIA O NIEVE.
- Desenchufar el cable de alimentación de la red antes de conectar o desconectar los cables de carga de la batería.
- No conectar o desconectar las pinzas a la batería cuando el cargador esté en funcionamiento.
- No utilizar el cargador de baterías por ningún motivo en el interior de un coche o en el capó.
- Sustituir el cable de alimentación sólo con un cable original.
- No utilizar al cargador de baterías para recargar baterías no recargables.
- Controlar que la tensión de alimentación disponible corresponda con la indicada en la chapa de datos del cargador de baterías.
- Para no dañar la electrónica de los vehículos, leer, conservar, respetar escrupulosamente las advertencias de los fabricantes de los mismos vehículos, cuando se utilice el cargador de baterías tanto en carga como en arranque; lo mismo vale para las indicaciones ofrecidas por el fabricante de las baterías.
- Este cargador de baterías tiene interruptores o relés que pueden provocar arcos o chispas; por lo tanto, si se usa en un garaje o en ambiente similar, deberemos colocarlo en un local o en una parte protegida

adecuados para ello.

- Las intervenciones de reparación o mantenimiento en el interior del cargador de baterías deben ser efectuadas sólo por profesionales.
- **ATENCIÓN: ¡QUITAR SIEMPRE EL CABLE DE ALIMENTACIÓN DE LA RED ANTES DE EFECTUAR CUALQUIER INTERVENCIÓN DE MANTENIMIENTO SENCILLO DEL CARGADOR DE BATERÍAS, PELIGRO!**

2. INTRODUCCIÓN Y DESCRIPCIÓN GENERAL

- Este cargador de baterías permite la carga de baterías de plomo con electrolito libre utilizado sobre vehículos a motor (gasolina o diesel), motocicletas, embarcaciones, etc. y está indicado para la carga de baterías herméticas.
- Acumuladores recargables en función de la tensión de salida disponible: 6V / 3 celdas; 12V / 6 celdas; 24V / 12 celdas.
- La corriente de carga suministrada por el aparato decrece según la curva característica W y es conforme a la norma DIN 41774.

3. INSTALACIÓN

UBICACIÓN DEL CARGADOR DE BATERÍAS

- Durante el funcionamiento colocar de manera estable el cargador de baterías y asegurarse de que no se obstruye el paso del aire con las relativas aperturas, garantizando una ventilación suficiente.

CONEXIÓN A LA RED

- El cargador de baterías debe conectarse exclusivamente a un sistema de alimentación con conductor de neutro conectado a tierra. Controlar que la tensión de la red sea equivalente a la tensión de funcionamiento.
- La línea de alimentación deberá poseer sistemas de protección, tales como fusibles o interruptores automáticos, suficientes para soportar la absorción máxima del aparato.
- La conexión con la red debe efectuarse mediante el cable especial.
- Las eventuales prolongaciones del cable de alimentación tienen que tener una sección adecuada y en cualquier caso nunca inferior a la del cable suministrado con el aparato.

4. FUNCIONAMIENTO

PREPARACIÓN PARA LA CARGA

Nota importante: Antes de proceder a la carga, comprobar que la capacidad de la batería en (Ah) que se va a someter a carga no sea inferior a aquella indicada en la tarjeta (C min.)

Seguir las instrucciones respetando escrupulosamente el orden que a continuación se indica.

- Quitar las tapas de la batería, si las lleva, de manera que puedan salir los gases que producen durante la carga.
- Controlar que el nivel del electrolito recubra las planchas de las baterías; si éstas quedasen al descubierto, añadir agua destilada hasta sumergirlas unos 5/10 mm.



ATENCIÓN: TENER EL MÁXIMO CUIDADO DURANTE ESTA OPERACIÓN YA QUE EL ELECTROLITO ES UN ÁCIDO ALTAMENTE CORROSIVO.

- Con el cable de alimentación desconectado de la toma de red, colocar el desviador de carga 6/12 V o 12/24 V (si está presente) en función de la tensión nominal de la batería a cargar.
 - Comprobar la polaridad de los terminales de la batería: positivo el símbolo + y negativo el símbolo -.
- NOTA: si los símbolos no se pueden distinguir se recuerda que el terminal positivo es el que no está

- conectado al chasis del coche.
 - Conectar la pinza de carga de color rojo al terminal positivo de la batería (símbolo +).
 - Conectar la pinza de carga de color negro al chasis del coche, lejos de la batería y del conducto del carburante.
- NOTA: si la batería no está instalada en el coche, conectarse directamente al terminal negativo de la batería (símbolo -).

CARGA

- Alimentar el cargador de baterías introduciendo el cable de alimentación en la toma de red y poniendo el ON el interruptor (si está presente).
- El amperímetro (si está presente) indicará la corriente (en amperios) de carga de la batería. Durante esta fase se observará que la indicación del amperímetro disminuirá lentamente hasta acercarse a valores muy bajos en función de la capacidad y de las condiciones de la batería.

FIG. A

NOTA: Cuando la batería está cargada, se podrá además notar un principio de "ebullición" del líquido contenido en ella. Se aconseja interrumpir la carga al comienzo de este fenómeno para evitar oxidaciones de la plancha y conservar en buen estado la batería.

⚠ ATENCIÓN: BATERÍAS HERMÉTICAS.

Si se presentara la necesidad de efectuar la carga de este tipo de baterías, tener el máximo cuidado. Efectuar una carga lenta, controlando constantemente la tensión de los terminales de la batería. Cuando esta tensión, que se puede detectar fácilmente con un tester común, alcanzar los 14,4V para las baterías de 12V (7,2V para las baterías de 6V y 28,8V para las baterías de 24V) se aconseja interrumpir la carga.

FIN DE CARGA

- Quitar la alimentación al cargador de baterías. Quitando el cable de alimentación de la toma de red.
- Desconectar la pinza de carga de color negro del chasis del coche o del terminal negativo de la batería (símbolo -).
- Desconectar la pinza de carga de color rojo del terminal positivo de la batería (símbolo +).
- Volver a poner el cargador de baterías en un lugar seco.
- Volver a cerrar las celdas de la batería con los relativos tapones (si están presentes).

5. PROTECCIONES DEL CARGABATERÍAS (FIG.B)

El cargador de baterías está provisto de protecciones que intervienen en caso de:

- Sobrecarga (excesiva corriente hacia la batería).
- Cortocircuito (pinzas de carga en contacto entre ellas).
- Inversión de polaridad en los terminales de la batería.
- En los aparatos provistos de fusibles es obligatorio, en caso de sustitución, utilizar recambios iguales, que tengan el mismo valor de corriente nominal.

⚠ **ATENCIÓN: Sustituir el fusible con valor de corriente diferente a los indicados en la placa, podría provocar daños a personas o cosas. Por el mismo motivo, evitar absolutamente la sustitución del fusible por puentes de cobre u otro material.**

La sustitución del fusible ha de hacerse siempre con el cable de alimentación DESENCHUFADO de la red.

Sustitución del fusible de protección interno (FIG.C)

- 1 - Desconectar el cable de alimentación de la red.
- 2 - Abrir el cargador de baterías.
- 3 - Sustituir el fusible con otro con igual valor.
- 4 - Volver a cerrar el cargador de baterías.

MANUAL DE INSTRUÇÕES



ATENÇÃO: ANTES DE UTILIZAR O CARREGADOR LER O MANUAL DE INSTRUÇÕES ATENTAMENTE!

1. SEGURANÇA GERAL PARA O USO DESTES CARREGADOR DE BATERIAS



- Durante o carregamento as baterias emanam gases explosivos, evitar que se formem chamas e faíscas. **NÃO FUMAR.**
- Colocar as baterias que estão sendo carregadas num lugar ventilado.



- As pessoas que não têm experiência devem ser instruídas oportunamente antes de utilizar o aparelho.
- As pessoas (inclusive crianças) com capacidades físicas, sensoriais, mentais insuficientes para utilizar correctamente o aparelho devem estar sob a supervisão de uma pessoa responsável pela sua segurança durante o seu uso.
- As crianças devem ser vigiadas para verificar que não brinquem com o aparelho.
- Usar o carregador de baterias exclusivamente em locais fechados os quais devem ser ambientes bem ventilados: **NÃO EXPOR À CHUVA OU NEVE.**
- Desligar o cabo eléctrico da rede antes de ligar ou desligar os cabos de carga da bateria.
- Não prender nem desprender as pinças à bateria com o carregador de baterias funcionando.
- Não usar de maneira nenhuma o carregador de baterias dentro de um automóvel ou do capô.
- Substituir o cabo eléctrico somente com um cabo original.
- Não usar o carregador de baterias para recarregar baterias do tipo que não podem ser recarregadas.
- Verificar que a tensão de alimentação disponível seja correspondente àquela indicada na placa de dados do carregador de baterias.
- Para não danificar a electrónica dos veículos, ler, guardar, respeitar rigorosamente os avisos fornecidos pelos fabricantes dos próprios veículos, quando se usa o carregador de baterias tanto sob carga como em arranque; o mesmo vale para as indicações fornecidas pelo fabricante de baterias.
- Este carregador de baterias contém partes, tais como interruptores ou relés, que podem provocar arcos ou faíscas; portanto se for usado numa garagem ou em ambiente semelhante, colocar o carregador de baterias num lugar ou caixa apropriada para tal fim.
- Operações de reparação ou de manutenção no interior do carregador de baterias devem ser efectuadas somente por profissionais especializados.
- **ATENÇÃO: DESLIGAR SEMPRE O CABO ELÉCTRICO DA REDE ANTES DE EFECTUAR QUALQUER INTERVENÇÃO DE SIMPLES MANUTENÇÃO DO CARREGADOR DE BATERIAS,**

PERIGO!

2. INTRODUÇÃO E DESCRIÇÃO GERAL

- Este carregador de baterias possibilita o carregamento de baterias de chumbo com electrólito livre usadas em veículos a motor (gasolina e diesel), motocicletas, embarcações, etc. e é indicado para o carregamento de baterias seladas.
- Acumuladores recarregáveis em função da tensão de saída disponível: 6V / 3 células; 12V / 6 células; 24V / 12 células.
- A corrente de carga fornecida pelo aparelho decresce segundo a curva característica W e em conformidade com a norma DIN 41774.

3. INSTALAÇÃO

POSICIONAMENTO DO CARREGADOR DE BATERIAS

- Durante o funcionamento posicionar de maneira estável o carregador de baterias e controlar para que não fique obstruída a passagem de ar através das aberturas apropriadas garantindo uma ventilação suficiente.

LIGAÇÃO À REDE

- O carregador de bateria deve ser ligado exclusivamente a um sistema de alimentação com condutor de neutro ligado à terra. Controlar que a tensão de rede seja correspondente à tensão de funcionamento.
- A linha de alimentação deverá ser dotada de sistemas de protecção, tais como fusíveis ou interruptores automáticos, suficientes para suportar a absorção máxima do aparelho.
- A ligação à rede deve ser efectuada com cabo apropriado.
- Eventuais extensões do cabo eléctrico devem ter um diâmetro adequado e nunca inferior ao diâmetro do cabo fornecido.

4. FUNCIONAMENTO

PREPARAÇÃO PARA A CARGA

NB: Antes de efectuar a carga, verificar que a capacidade das baterias (Ah) que se deseja carregar não seja inferior àquela indicada na placa (C min).

Executar as instruções seguindo rigorosamente a ordem reproduzida abaixo.

- Remover as tampas da bateria se presentes, de maneira que os gases que se produzem durante o carregamento possam sair.
- Controlar que o nível do electrólito cubra as placas das baterias; se as mesmas ficarem descobertas acrescentar água destilada até cobri-las de 5 10 mm.

⚠ ATENÇÃO: PRESTAR O MÁXIMO CUIDADO DURANTE ESTA OPERAÇÃO PORQUE O ELECTRÓLITO É UM ÁCIDO ALTAMENTE CORROSIVO.

- Com cabo de força desligado da tomada de rede colocar o desviador de carga 6/12V ou 12/24V (se houver) em função da tensão nominal da bateria a carregar.
 - Verificar a polaridade dos bornes da bateria: positivo o símbolo + e negativo o símbolo -.
- NOTA: se os símbolos não estiverem visíveis deve ser lembrado que o borne positivo é aquele não ligado ao chassi do automóvel.
- Prender a pinça de carga de cor vermelha ao borne positivo da bateria (símbolo +).
 - Prender a pinça de carga de cor preta ao chassi do automóvel, longe da bateria e do tubo do combustível.
- NOTA: se a bateria não estiver instalada no automóvel, ligar directamente ao borne negativo da bateria (símbolo -).

CARGA

- Alimentar o carregador de baterias introduzindo o cabo

de força na tomada de rede e colocando o interruptor em ON (se houver).

- O amperímetro (se presente) indica a corrente (em Ampère) de carga da bateria: durante esta fase poderá ser observado que a indicação do amperímetro diminuirá lentamente até valores muito baixos em função da capacidade e das condições da bateria.

FIG.A

NOTA: Quando a bateria estiver carregada poderá ser percebido um princípio de "ebulição" do líquido contido na bateria. Recomenda-se interromper a carga já no início deste fenómeno a fim de evitar danos da bateria.

⚠ ATENÇÃO! BATERIAS HERMÉTICAS.

Se houver a necessidade de efectuar a carga deste tipo de baterias prestar a máxima atenção. Efectuar uma carga lenta mantendo a tensão sob controlo nos bornes da bateria. Quando esta tensão, facilmente detectável com um testador comum, atingir os 14,4V para as baterias com 12V (7,2V para as baterias com 6V e 28,8V para as baterias com 24V) recomenda-se para interromper a carga.

FIM DA CARGA

- Desligar a alimentação do carregador de baterias removendo o próprio cabo da tomada de rede.
- Desprender a pinça de carga de cor preta do chassi do automóvel ou pelo borne negativo da bateria (símb. -).
- Desprender a pinça de carga de cor vermelha do borne positivo da bateria (símbolo +).
- Guardar o carregador de baterias em lugar seco.
- Fechar as células da bateria com as tampas apropriadas (se presentes).

5. PROTECÇÕES DO CARREGADOR DE BATERIAS (FIG.B)

O carregador de baterias possui uma protecção que interfere no caso de:

- Sobrecarga (fornecimento excessivo de corrente para a Bateria).
- Curto-circuito (pinças de carga colocadas em contacto entre si).
- Inversão de polaridade nos bornes da bateria.
- Nos aparelhos munidos de fusíveis é obrigatório em caso de substituição, usar peças de reposição iguais com o mesmo valor de corrente nominal.

⚠ ATENÇÃO: Substituir o fusível com valores de corrente diferentes daqueles indicado na placa poderá provocar danos a pessoas ou coisas. Pelo mesmo motivo, evitar rigorosamente a substituição do fusível com pontes de cobre ou outro material.

A operação de substituição do fusível deve ser sempre efectuada com o cabo eléctrico DESLIGADO da rede.

Substituição do fusível de protecção interna (FIG.C)

- 1- Desinsérer o cabo eléctrico da rede.
- 2- Abrir o carregador de baterias.
- 3- Substituir o fusível com outro de valor igual.
- 4- Fechar novamente o carregador de baterias.

INSTRUCTIEHANDLEIDING



OPGELET: VOORDAT MEN DE BATTERIJLADER GEBRUIKT, AANDACHTIG DE INSTRUCTIEHANDLEIDING LEZEN

1. ALGEMENE VEILIGHEID VOOR HET GEBRUIK VAN DEZE BATTERIJLADER



- Tijdens het opladen laten de batterijen explosief gas vrij, vermijd dat er zich vlammen en vonken vormen. NIET ROKEN.
- De op te laden batterijen op een verluchte plaats zetten.



- De niet ervaren personen moeten op een adequate manier opgeleid worden voordat ze het toestel gebruiken.
- De personen (kinderen inbegrepen) waarvan de lichamelijke, zintuiglijke en mentale capaciteiten onvoldoende zijn voor een correct gebruik van het toestel moeten onder het toezicht staan van een persoon die verantwoordelijk is voor hun veiligheid tijdens het gebruik ervan.
- De kinderen moeten onder toezicht staan om er zeker van te zijn dat ze niet met het toestel spelen.
- De batterijlader uitsluitend binnen gebruiken en werken in goed verluchte ruimten: NIET BLOOTSTELLEN AAN REGEN OF SNEEUW.
- De voedingskabel loskoppelen van het net voordat de kabels voor het opladen worden aangesloten op of losgekoppeld van de batterij.
- De tangen niet aansluiten op of loskoppelen van de batterij met de batterijlader in werking.
- De batterijlader geenszins gebruiken binnen in de auto of in de motorkap.
- De voedingskabel alleen vervangen met een originele kabel.
- De batterijlader niet gebruiken om niet heroplaadbare batterijen terug op te laden.
- Verifiëren of de beschikbare voedingsspanning overeenstemt met diegene die aangeduid staat op de plaat met de gegevens van de batterijlader.
- Teneinde de elektronica van de voertuigen niet te beschadigen, de waarschuwingen gegeven door de fabrikanten van de voertuigen zelf lezen, bewaren en zorgvuldig in acht nemen, wanneer men de batterijlader gebruikt zowel bij het opladen als bij de start; hetzelfde geldt voor de aanwijzingen gegeven door de fabrikant van de batterijen.
- Deze batterijlader bevat componenten, zoals schakelaars of relais, die bogen of vonken kunnen veroorzaken; bijgevolg, indien de batterijlader in een garage of in een soortgelijke ruimte wordt gebruikt, moet men hem in een lokaal of in een omgeving plaatsen die speciaal voor dit doel bestemd is.
- Ingrenpen van herstellingen of onderhoud aan de binnenkant van de batterijlader mogen alleen uitgevoerd worden door personeel met ervaring.
- **OPGELET: DE VOEDINGSKABEL ALTIJD**

LOSKOPPELEN VAN HET NET VOORDAT MEN GELIJK WELKE INGREEP VAN GEWOON ONDERHOUD VAN DE BATTERIJLADER UITVOERT, GEVAAR!

2. INLEIDING EN ALGEMENE BESCHRIJVING

- Deze batterijlader staat het opladen van batterijen met lood en vrije elektrolyt toe gebruikt op motorvoertuigen (benzine en diesel), motorfietsen, schepen, enz.. en is aangewezen voor het opladen van hermetische batterijen.
- Accumulators oplaadbaar in functie van de beschikbare spanning van uitgang: 6V / 3 cellen; 12V / 6 cellen; 24V / 12 cellen.
- De stroom voor het opladen geleverd door het toestel neemt af volgens de karakteristieke kromme W en è overeenkomstig de norm DIN 41774.

3. INSTALLATIE

PLAATSGANG VAN DE BATTERIJLADER

- Tijdens de werking de batterijlader op een stabiele manier installeren en ervoor zorgen dat de luchtdoorgang niet verstopt wordt middels speciaal daartoe bestemde openingen zodanig dat een voldoende ventilatie gegarandeerd is.

AANSLUITING OP HET NET

- De batterijlader mag uitsluitend aangesloten worden op een voedingssysteem met een neutraalgeleider verbonden met de aarde. Controleren of de netspanning overeenstemt met de spanning van werking.
- De voedingslijn moet uitgerust zijn met beschermingssysteem zoals zekeringen of automatische schakelaars, voldoende om de maximum absorptie van het toestel te verdragen.
- De aansluiting op het net è moet uitgevoerd worden met een speciale kabel.
- Eventuele verlengsnoeren van de voedingskabel moeten een adequate doorsnede hebben die nooit kleiner mag zijn dan diegene van de geleverde kabel.

4. WERKING

VOORBEREIDING VOOR HET OPLADEN

NB: Voordat men overgaat tot het opladen, moet men verifiëren of de capaciteit van de batterijen (Ah) die men wenst te onderwerpen aan het opladen niet kleiner is dan diegene die aangeduid staat op de plaat (C min). Bij het uitvoeren van de instructies nauwkeurig de hierna aangegeven volgorde volgen.

- De eventueel aanwezige deksels van de batterij wegnemen, i zodanig dat de gassen die zich ontwikkelen tijdens het opladen naar buiten kunnen komen.
- Controleren of het niveau van de elektrolyt de platen van de batterijen dekt; indien deze bloot blijken te liggen, gedistilleerd water toevoegen tot ze 5 -10 mm bedekt zijn.



OPGELET: UITERST VOORZICHTIG TEWERK GAAN TIJDENS DEZE OPERATIE OMDAT DE ELEKTROLYT EEN UITERST CORROSIEF ZUUR IS.

- Met de voedingskabel losgekoppeld van het contact van het net de deviator van lading 6/12 V of 12/24 V (indien aanwezig) plaatsen in functie van de nominale spanning van de te laden batterij.
- De polariteit van de klemmen van de batterij verifiëren: positief het symbool + en negatief het symbool -.
- **OPMERKING:** indien de symbolen zich niet onderscheiden moet men zich herinneren dat de positieve klem diegene is die niet verbonden is met het chassis van de auto.
- De rode tang voor het opladen verbinden met de

- De zwarte tang voor het opladen verbinden met het chassis van de auto, uit de buurt van de batterij en van de buis van de brandstof.
- **OPMERKING** indien de batterij niet in de auto geïnstalleerd is, zich rechtstreeks verbinden met de negatieve klem van de batterij (symbool -).

OPLADEN

- De batterijlader voeden door de voedingskabel in het contact van het net te steken en de schakelaar (indien aanwezig) op ON te zetten.
- De ampèremeter (indien aanwezig) geeft de stroom aan (in Ampères) voor het opladen van de batterij; tijdens deze fase merkt men dat de aanwijzing van de ampèremeter langzaam vermindert tot op heel lage waarden in functie van de capaciteit en de condities van de batterij.

FIG.A

OPMERKING: Wanneer de batterij oplaadt kan men bovendien een begin van "koken" van de vloeistof merken die bevat is in de batterij. Men raadt aan het opladen reeds aan het begin van dit fenomeen te onderbreken teneinde beschadigingen aan de batterij te voorkomen.

⚠ OPGELET: HERMETISCHE BATTERIJEN.

Indien het nodig blijkt te zijn dit soort batterijen te moeten opladen, moet men uiterst aandachtig tewerk gaan. Een trage oplading uitvoeren en hierbij de spanning naar de klemmen van de batterij onder controle houden. Wanneer deze spanning, die gemakkelijk kan opgenomen worden met een gewone tester, de 14,4V bereikt voor de batterijen van 12V (7,2V voor de batterijen van 6V en 28,8V voor de batterijen van 24V) raadt men aan het opladen te onderbreken.

EINDE OPLADEN

- De voeding wegnemen van de batterijlader en hierbij de kabel zelf loskoppelen van het stopcontact.
- De zwarte tang van het opladen loskoppelen van het chassis van de auto of van de negatieve klem van de batterij (symbool -).
- De rode tang van het opladen loskoppelen van de positieve klem van de batterij (symbool +).
- De batterijlader op een droge plaats opbergen.
- De cellen van de batterij terug sluiten met de speciaal daartoe bestemde doppen (indien aanwezig).

5. BESCHERMINGEN VAN DE BATTERIJLADER (FIG.B)

De batterijlader is uitgerust met bescherming die ingrijpt in geval van:

- Overlading (excessieve verdeling van stroom naar de batterij).
- Kortsluiting (tangen voor het opladen in contact met elkaar geplaatst).
- Omkering van polariteit op de klemmen van de batterij.
- In de toestellen voorzien van zekeringen is het verplicht, in geval van vervangingen, analoge reserve onderdelen te gebruiken die dezelfde waarde van nominale stroom hebben.

⚠ OPGELET: De zekering niet vervangen met waarden van stroom die verschillen van diegene die op de plaat staan aangeduid, dit zou schade kunnen berokkenen aan dingen of personen. Omwille van dezelfde reden moet men absoluut vermijden dat de zekering vervangen wordt met koperen bruggen of ander materiaal.

De operatie van de vervanging van de zekering moet altijd worden uitgevoerd met de voedingskabel LOSGEKOPPELD van het net.

Vervanging interne zekering van bescherming (FIG.C)

- 1- De voedingskabel loskoppelen van het net.
- 2- De batterijlader openen.
- 3- De zekering vervangen met een andere met een gelijke waarde.
- 4- De batterijlader terug sluiten.

(DK)

INSTRUKTIONSMANUAL



GIV AGT: LÆS BRUGERVEJLEDNINGEN OM HYGGE LIGT IGENNEM, FØR BATTERILADENTAGES I BRUG.

1. ALMENE SIKKERHEDSREGLER FOR ANVENDELSE AF DENNE BATTERILADER



- Under opladningen dannes der eksplosive gasser. Eliminér risici for flamme og gnistdannelse. RYG IKKE!
- Placér batterierne på et sted med god udluftning, mens de oplades.



- **De niet ervaren personen moeten op een adequate manier opgeleid worden voordat ze het toestel gebruiken.**
- **De personen (kinderen inbegrepen) waarvan de lichamelijke, zintuiglijke en mentale capaciteiten onvoldoende zijn voor een correct gebruik van het toestel moeten onder het toezicht staan van een persoon die verantwoordelijk is voor hun veiligheid tijdens het gebruik ervan.**
- **De kinderen moeten onder toezicht staan om er zeker van te zijn dat ze niet met het toestel spelen.**
- Anvend udelukkende batteriladeren indendørs på steder med tilstrækkelig ventilation: UDSÆT IKKE OPLADEREN FOR REGN OG SNE!
- Træk altid først stikket ud af stikkontaktten, før ladekablerne slutes til eller tages af batteriet.
- Batteriladen må ikke være i funktion, mens tængerne slutes til eller tages af batteriet.
- Anvend aldrig batteriladeren inde i et køretøj eller i motorhjelmen.
- Forsyningsledningen må udelukkende udskiftes med et originalt.
- Batteriladeren må ikke anvendes til opladning af batterier, der ikke kan genoplades.
- Kontrollér om netspændingen, som er til rådighed, stemmer overens med angivelserne på batteriladerens typeskilt.
- For at undgå at beskadige køretøjernes elektronik under opladning og igangsætning med batteriladeren, skal man læse, opbevare og nøje overholde anvisningerne fra det pågældende køretøjs fabrikant samt batteriproducentens anvisninger.
- Denne batterilader indeholder dele såsom strømafbrydere og relæer, som kan fremkalde lysbuer og gnister. Hvis batteriladeren anvendes på et

bilværksted eller lignende, bør den således placeres på et sikkert sted eller opbevares i egnet indpakning.

- Reparations- og vedligeholdelsesarbejde på batteriladeren må kun udføres af erfarne fagmænd.
- **GIV AGT: MAN SKAL ALTID TRÆKKE STIKKET UD AF STIKKONTAKTEN, FØR DER FORETAGES ENHVER FORM FOR ENKEL VEDLIGEHOLDELSE PÅ BATTERILADEREN, FARE!**

2. INDLEDNING OG ALMEN BESKRIVELSE

- Med denne batterilader kan man oplade batterier af bly med fri elektrolyt, der anvendes på motorkøretøjer (benzin- og dieseldrevne), motorcykler, både, osv., og den er velegnet til opladning af hermetiske batterier.
- Akkumulatører, der kan genoplades alt efter den udgangsspænding, der står til rådighed: 6V / 3 celler; 12V / 6 celler; 24V / 12 celler.
- Apparatets ladestrøm falder i henhold til den karakteristiske Wkurve og stemmer overens med DIN normen 41774.

3. INSTALLERING

PLACERING AF BATTERILADEREN

- Batteriladeren skal placeres stabilt under drift, og man skal sørge for ikke at hindre luftgennemstrømningen gennem de dertil beregnede åbninger, idet der skal sikres tilstrækkelig ventilering.

NETTILSLUTNING

- Batteriladeren må udelukkende forbindes med et fødesystem udstyret med en neutral, jordet ledning. Undersøg, om netspændingen passer til udstyrets spænding.
- Netforsyningen skal beskyttes med sikkerhedsanordninger, såsom sikringer og automatiske afbrydere, der kan holde til apparatets maksimale strømforbrug.
- Nettilslutningen udføres v.h.a. det dertil beregnede kabel.
- Eventuelle forlængere af forsyningskablet skal have et passende tværsnit, d.v.s. aldrig under det leverede kables.

4. FUNKTION

FORBEREDELSE FØR OPLADNING

OBS! Før man starter opladningen, skal man forvisse sig om, at de anvendte batteriers ydeevne (Ah) ikke er lavere end hvad, der er angivet på pladen (C min).

Foretag proceduren nøje i den nedenstående rækkefølge.

- Fjern batteriets låg (hvis de forefindes), så at gasarterne, der dannes under opladningen, kan slippe ud.
- Kontrollér at batterivæskens dækker battericellerne; tilsæt, hvis dette ikke er tilfældet, destilleret vand, så de dækkes med 5-10 mm vand.

⚠ GIV AGT: UDVIS STØRST MULIG FORSIGTIGHED I FORBINDELSE MED DENNE PROCEDURE, EFTERSOM BATTERISYREN ER STÆRKT ÆTSENDE

- Frakobl først forsyningskablet netstikket og stil ladevælgere på 6/12 V eller 12/24 V (såfremt den forefindes) alt efter mærkespændingen for det batteri, der skal oplades.
- Undersøg batteriklemmernes polaritet: tegnet + står for positiv, tegnet - for negativ.
BEMÆRKNING: Hvis det er umuligt at skelne mellem tegnene, skal man huske på, at den positive klemme er den, der ikke er forbundet med bilens chassis.
- Forbind den røde ladetang med batteriets røde klemme (mærket med +).
- Forbind den sorte ladeklemme med bilens chassis, langt væk fra batteriet og brændstofføret.

BEMÆRKNING: Hvis batteriet ikke er installeret i bilen,

skal man oprette en direkte forbindelse med batteriets negative klemme (mærket med -).

OPLADNING

- Fød batteriladeren ved at sætte forsyningskablet i netstikket og stil afbryderen på ON (såfremt den forefindes).
- Såfremt amperemetret forefindes, viser det ladestrømmen (i Ampere) til batteriet. Under opladningen vil amperemetrets angivelse langsomt falde for til sidst at nå et meget lavt niveau, afhængig af batteriets kapacitet og tilstand.

FIG. A

BEMÆRKNING: Når batteriet oplades, kan det ske at batterivæskens begynder at "koge". Man bør i så fald straks afbryde opladningen for at undgå beskadigelse af batteriet.

⚠ GIV AGT: TÆTTE BATTERIER.

Skulle der opstå behov for at oplade denne slags batterier, skal der udvises størst mulig forsigtighed. Foretag en langsom opladning, mens der holdes øje med spændingen til batteriets klemmer. Når denne spænding, der nemt kan måles med en almindelig tester, når 14,4V for 12V-batterier (7,2V for 6V-batterier og 28,8V for 24V-batterier), anbefales det at afbryde opladningen.

AFSLUTTET OPLADNING

- Frakobl batteriladeren neforsyningen ved at frakoble ledningen stikkontaktten.
- Fjern den sorte ladetang fra bilens chassis eller fra batteriets negative klemme (mærket med -).
- Fjern den røde ladetang fra batteriets positive klemme (mærket med +).
- Placer batteriladeren på et tørt sted.
- Luk batteriets celler til igen med de dertil beregnede propper (hvis de findes).

5. BATTERILADERENS

BESKYTTelsesANORDNINGER (FIG.B)

Batteriladeren er udstyret med sikkerhedsanordninger som udløses ved:

- Overbelastning (for høj strømtilførsel til batteriet).
- Kortslutning (tilslutningsklemmerne har kontakt med hinanden).
- Hvis batteriklemmernes poler er vendt forkert.
- På apparater, som er udstyret med sikringer, skal der anvendes sikringer af samme type med samme nominalværdi ved en eventuel udskiftning.

⚠ GIV AGT: Vær omhyggelig med at anvende en sikring med den værdi, som angives på batteriladerens typeskilt, for at undgå risiko for skader på personer eller ting. Af samme årsag, må sikringer aldrig udskiftes med broer af kobber eller lignende.

Udskiftning af sikring skal udføres med stikket TAGET UD af netkontakten.

Udskiftning af den indvendige sikring (FIG.C)

- 1- Tag stikket ud af netkontakten.
- 2- Åbn batteriladeren.
- 3- Erstat sikringen med en ny af samme type.
- 4- Luk batteriladeren igen.

OHJEKIRJA



HUOMIO: LUE TÄMÄ KÄYTTÖOHJE HUOLELLISESTI ENNEN AKKULATURIN KÄYTTÄMISTÄ!

1. TÄMÄN AKKULATURIN KÄYTTÖÄ KOSKEVAT YLEISETTURVALLISUUSOHJEET



- Latauksen aikana syntyy räjähtäviä kaasuja. Eliminoi liekin ja kipinämuodostusriski. **ÄLÄ POLTA!**
- Aseta ladattavat akut tuuletettuun tilaan.



- **Ammattitaidottomat henkilöt on koulutettava asianmukaisesti ennen laitteen käyttöä.**
- **Vastaavan henkilön on valvottava sellaisten henkilöiden turvallisuutta laitteen käytön aikana (lapset mukaanlukien), joiden fyysiset, aisti- ja henkiset ominaisuudet ovat riittämättömät laitteen käyttämiseksi oikein.**
- **On valvottava, etteivät lapset leiki laitteella.**
- Käytä akkulatoria yksinomaan sisätiloissa ja tuuleta tila kunnolla: **ÄLÄ ASETA LATORIA ALTTIIKSI SATEELLE JA LUMELLE!**
- Vedä aina pistotulppa pois sähkörasiasta ennen kuin liität latauskaapeli akkuun tai poistat ne siitä.
- Älä kytke tai irrota pihitejä akkulatorin käydessä.
- Älä koskaan käytä akkulatoria ajoneuvon sisällä tai moottoritilassa.
- Vaihtakaa syöttökaapeli vain alkuperäiseen malliin.
- Älä käytä akkulatoria kertakäyttöisten akkujen lataamiseen.
- Tarkista, että käytettävän verkon jännite vastaa akkulatorissa olevan kyltin tietoja.
- Ajoneuvojen elektronikan varuioittamisen välttämiseksi lue, säilytä ja noudata tarkasti ajoneuvojen valmistajien antamia varoituksia, kun akkulatoria käytetään lataukseen ja käynnistämiseen; sama koskee akkulatorin valmistajan antamia ohjeita.
- Tämä akkulatori sisältää osia, kuten virtakytkin ja rele, jotka voivat aiheuttaa valokaaria ja kipinöitä. Kun laturia käytetään autokorjaamolla tai vastaavassa paikassa, se pitää näin ollen sijoittaa turvalliseen ja käyttötarkoitukseen sopivaan paikkaan.
- Vain pätevä asentaja saa suorittaa akkulatorin korjauksen ja huoltotoimenpiteet.
- **HUOMIO: KUN TARKASTAT JA HUOLLAT AKKULATORIA, TARKISTA AINA ETTÄ VERKKOJOHTO EI OLE KYTKETTY.VAARA!**

2. JOHDANTO JA YLEISKUVAUS

- Tällä akkulatorilla voi ladata moottoriajoneuvoissa (bensini ja dieselkäyttöiset), moottoripyörissä, veneissä, jne. käytettäviä lyijy- ja elektrolyyttiakkuja ja se soveltuu myös ilmatäyttöiden akkujen lataamiseen.
- Saatavilla olevan antojännitteen mukaan ladattavat akut: 6V / 3 kennoa; 12V / 6 kennoa; 24V / 12 kennoa.
- Laitteen latausvirta vähenee luonteenomaisen W-

3. ASENNUS AKKULATURIN SIIJOITUS

- Aseta akkulatori käyttöä ainoastaan tukevasti ja varmista että ilma pääsee virtaamaan aukkojen kautta riittävän tuuletuksen varmistamiseksi.

KYTKEMINEN SÄHKÖVERKKOON

- Akkulatori tulee liittää ainoastaan syöttöjärjestelmiin, joissa on maadoitukseen liitetty neutraalijohdin. Tarkistakaa, että virtapiiriin jännite vastaa käyttöjännitettä.
- Syöttölinja tulee varustaa suojarjestelmillä, kuten laitteen maksimi hitsausimutehon kattavilla automaattivarokeilla.
- Liitännän virtapiiriin tulee tapahtua asianmukaisella kaapelilla.
- Virtakaapelien mahdollisten jatkojohtojen tulee olla vähintään yhtä suuria varsinaisen virtakaapelin kanssa.

4. KÄYTTÖ

VALMISTELU ENNEN LATAAMISTA

HUOM! Ennen latauksen aloittamista, tarkistakaa, ettei ladattavien akkujen kapasiteetti (Ah) ole kilvessä ilmoitettua kapasiteettiä pienempi (C min).

Toimi annettujen ohjeiden mukaan tarkasti alla annetussa järjestyksessä.

- Irrottaa akun korkit, jos tarpeen, niin että latauksen aikana muodostuvat kaasut pääsevät ulos.
- Tarkista, että akun nestepinta peittää akun kennot; jos näin ei ole, lisää tislattua vettä (5 - 10 mm kennojen yli).



VAROITUS! NOUDATA SUURTA VAROVAISUUTTA TÄMÄN TOIMENPITEEN YHTEYDESSÄ, SILLÄ AKKUHAPPO ON ERITTÄIN SYÖVYTTÄVÄÄ.

- Kun virtakaapeli on irronnut verkkopistokkeesta, aseta latauskytkin 6/12 V tai 12/24 V (jos mukana) ladattavan akun nimellijännitteen mukaisesti.
- Tarkista akun liittimien napaisuus: symboli + positiivinen ja symboli negatiivinen.
- **HUOMIO:** jos symbolit eivät erotu, muista, että positiivinen liitin on se, jota ei ole liitetty auton runkoon.
- Liitä punainen latauspinne akun positiiviseen liittimeen (symboli +).
- Liitä musta latauspinne akun runkoon kaus akusta ja polttoaineputkesta.
- **HUOMIO:** jos akkua ei ole asennettu autoon, suorita liittämät suoraan akun negatiiviseen liittimeen (symb -).

LATAUS

- Laita virta akkulatoriin asettamalla virtakaapeli verkkopistokkeeseen sekä asettamalla katkaisin ON - asentoon (jos mukana).
- Ampeerimittari (mikäli asennettu) ilmoittaa akun latausvirran (Ampeereissa): tämän vaiheen aikana voidaan havaita, että ampeerimittarin lukema laskee hitaasti erittäin alhaisiin arvoihin asti akun tilavuuden ja kennon perusteella.

KUVA A

HUOM: Kun akkua ladataan voi sattua, että akkuneste alkaa "kiehua". Lopeta lataus välittömästi jotta levyt eivät hapetu ja akku säilyy hyvässä kunnossa.



HUOMIO: HERMEETTISET AKUT.

Jos on välttämätöntä suorittaa tämän tyyppisen akun lataaminen, niin ole äärimmäisen huolellinen. Tee hidas lataus ja tarkkaile jännitettä akun liittimissä. Kun tämä jännite, joka on helposti mitattavissa tavallisella testerillä, saavuttaa 14,4V, 12V:n akuilla (7,2V, 6V:n akuilla ja 28,8V, 24V:n akuilla) on suositeltavaa keskeyttää lataus.


LATAUKSEN LOPETUS

- Katkaise akkulatorin virta irrottamalla virtakaapeli verkkopistokkeesta.
- Irrota musta latauspinne auton rungosta tai akun negatiivisesta liittimestä (symboli -).
- Irrota punainen latauspinne akun positiivisesta liittimestä (symboli +).
- Aseta akkulatori kuivaan paikkaan.
- Sulje akun kennot asianmukaisilla tulpilla (jos olemassa).

5. AKKULATURIN SUOJAT (KUVA B)

- Akkulatori on varustettu suojavausteilla jotka laukeavat:
- Ylikuormituksen yhteydessä (liian korkea latausvirta akkuun).
 - Oikosulku (kytkentäliittimet koskettavat toisiaan).
 - Plus(+) ja minus(-) navat ovat väärin päin.

Sulakkeilla varustetuissa laitteissa pitää mahdollisen vaihdon yhteydessä käyttää oikeantyyppistä ja kokoista sulaketta.

 **VAROITUS: Ole huolellinen että käytät sellaista sulaketta jonka arvo ilmoitetaan akkulatorin merkikilytissä henkilö tai esinevahinkojen välttämiseksi. Samasta syystä, älä koskaan vaihda sulaketta kuparisiltaan tai vastaavaan. Sulakkeen vaihto pitää tehdä silloin, kun pistotulppa on VEDETTY POIS sähkörsiasta.**

Sisäisen varosulakkeen vaihtaminen (KUVA C)

- 1- Vedä pistotulppa ulos pistorasiasta.
- 2- Avaa akkulatori.
- 3- Vaihda sulake uuteen samantyyppiseen sulakkeeseen.
- 4- Kokoa akkulatori.

(N)

BRUKERVEILEDNING



ADVARSEL: FØR DU BRUKER BATTERILADEREN SKAL DU LESE HÅNDBOKA NØYE!

1. GENERELLE FORHOLDSREGLER FOR BRUK AV DENNE BATTERILADEREN



- Under batteriladningen dannes det eksplosive gasser. Unngå farer som flammer og gnistdannelser. IKKE RØYK!
- Plasser batteriene på en plass med god ventilasjon for ladningsprosedyren.



- Personer uten erfaringer må instrueres før de bruker apparatet.
- Personer (også barn) med utilstrekkelig fysisk, sensorial og mental kapasitet for et korrekt bruk av apparatet må kontrolleres av en person som ansvarer for personenes sikkerhet under bruket.

- **Barn må kontrolleres for å forsikre seg om at de ikke leker med apparatet.**
- Bruk kun batteriladeren innendørs og med god ventilasjon: LADEREN MÅ IKKE UTSETTES FOR REGN ELLER SNØ!
- Støpslet må alltid tas ut av kontakten for nettilkoplingen før du kopler ladekablene fra eller til batteriet.
- Du skal aldri kople eller frakople tengene til batteriet med batteriladeren igang.
- Batteriladeren må absolutt ikke brukes inne i en bil eller i bagasjerommet.
- Strømtilførselskabelen må kun skiftes ut med en originalkabel.
- Batteriladeren må ikke brukes til batterier som ikke er oppladbare.
- Kontroller at tilgjengelig strømspenning tilsvarer verdiet som er indikert på batteriladerens skilt da du bruker batteriladeren for ladning og oppstart; dette gjelder også for indikasjonene som batterifabrikanten forsyner.
- For å ikke skade kjøretøyets elektroniske seksjon, slå du lese, oppbevare og nøye følge advarslingene som fabrikanten forsyner sammen med kjøretøylene.
- Denne batteriladeren inneholder deler som strømbryter og rele' som kan lage lysbuer eller gnister. Når laderen brukes på et bilverksted eller lignende, bør den plasseres på et sikkert og hensiktsmessig sted.
- Reparasjons- og vedlikeholdsarbeid må batteriladeren må kun utføres av fagpersonell.
- **ADVARSEL! KONTROLLER ALLTID AT NETTKABELEN IKKE ER TILKOPLET STRØMNETTET VED KONTROLL OG VEDLIKEHOLD AV BATTERILADEREN! FARE!**

2. INNLEDNING OG GENERELL BESKRIVELSE

- Denne batteriladeren er beregnet til oppladning av blyakkumulatorer på motorkjøretøyer (bensin og dieseldrevne), motorsykler, båter, osv og er egnet for ladning av hermetiske batterier.
- Oppladbare akkumulatorer i samsvar med den utgangsspenning som er tilgjengelig: 6V / 3 batterier; 12V / 6 batterier; 24V / 12 batterier.
- Apparatets ladestrom falder i henhold til den karakteristiske Wkurve og stemmer overens med DIN-normen 41774.

3. INSTALLASJON

Plassering av batteriladeren

- Under funksjonen, skal du plassere batteriladeren på stabil plass og forsikre deg om å ikke blokkere ventilasjonsåpningene for å garantere en god ventilasjon.

Tilkopling til nettet

- Batteriladeren må kun koples til et strømforsyningsystem med nøytral kabel koplet til jordeledning.
- Kontroller at nettspenningen samsvarer med apparatets funksjonsspenning.
- Nettlinjen må være utstyrt med beskyttelsessystemer, som sikringer eller automatiske brytere, som tåler apparatets maksimale absorbering.
- Tilkopling til strømmettet må utføres med den dertil egnete kabelen.
- Eventuelle forlenger av nettkabelen må ha dertil egnet snit, dette må dog aldri være mindre enn snittet til nettkabelen som medfølger.

4. FUNKSJON

Klargjøring for ladning

OBS! Før De starter oppladningen, må De verifisere at kapasiteten til de batteriene (Ah) som De har tenkt å lade, ikke er mindre enn som indikert på skiltet (C min). Utfør instruksene ved å nøye følge den orden som er

indikert.

- Fjern batteriets deksler, dersom de er tilstede, slik at gassene som produseres under oppladningen får utløp.
- Kontroller at væsknivået på batteriet er så høyt at det dekker battericellene. Hvis ikke, må det fylles på med destillert vann (5-10 mm over cellene).



ADVARSEL! BATTERISYREN ER STERKT ETSENDE, SÅ VÆR MEGET FORSIKTIG MED MÅLINGEN.

- Med strømskabeln frakoplet fra nettkontakten, skal du plassere lastdeviatoren på 6/12V eller 12/24V (hvis mulig), i samsvar med nominalspenning på batteriet du skal lade.
- Kontroller polariteten på batteriets klemmer: positiv symbol + og negativ symbol -.
- BEMERK: hvis symbolene ikke er ulike, skal du huske at den positive klemmen er den som ikke er koplet til maskinens karosseri.
- Kople ladningsklemmen med rød farge til positiv klemme på batteriet (symbol +).
- Kople klemmen med sort farge til maskinens karosseri langt fra batteriet og brenslengelen.
- BEMERK: hvis batteriet ikke er blitt installert i maskinen, kan du utføre en direkte kopling til batteriets negative pol (symbol -).

LADNING

- Forsyn batteriladeren med strøm ved å kople strømskabeln til uttaket og stille strømbryteren på ON (hvis installert).
- Amperemeteret (hvis installert) viser ladestrømmen til batteriet. Under ladingen vil amperemeterets utslag bli sakte redusert til en svært lavt verdi, avhengig av batterikapasiteten og tilstanden.

FIG. A

BEMERK: når batteriet lades opp, kan batterivæskene begynne å "koke". For at batteriet ikke skal bli dårligere, må ladingen i slike tilfeller avbrytes umiddelbart, slik at platene ikke skal oksidere.



BEMERK: HERMETISKE BATTERIER.

Hvis det er nødvendig å utføre ladingen av denne typen av batterier, skal du være meget nøye. Utfør en langsom lading ved å holde spenningen under kontroll ved batteriklemmene. Når denne spenningen, som du lett kan lese av ved hjelp av en normal tester, oppnår 14,4V for 12V-batteriene (7,2V for 6V-batteriene og 28,8V for 24V-batteriene) anbefaler vi deg å avslutte ladingprosedyren.

SLUT PÅ LADNING

- Fjern strømforsyningen fra batteriladeren ved å frakople kabelen fra uttaket.
- Frakople den sorte ladningstangen fra maskinstrukturen eller fra batteriets negative pol (symbol -).
- Frakople ladningstangen med rød farge fra batteriets positive pol (symbol +).
- Still batteriladeren på tør plass.
- Lukk batteriets celler ved hjelp av de spesielle lokkene (hvis installert).

5. VERNEUTSTYR TIL BATTERILADEREN (FIG. B)

Batteriladeren har sikkerhetsutstyr som utløses ved:

- Overbelastning (for høy ladestrom til batteriet).
- Kortslutning (kopplingsklemmene berører hverandre).
- Pluss(+) og minus(-) polene er vendt feil veg.
- I apparater med sikringer må en eventuell byttesikring være av tilsvarende type og verdi.



ADVARSEL: Vær nøye med å bruke sikringer med verdi som angitt på batteriladerens merkeplate, slik at

du kan unngå skader personer eller gjenstander. Av samme årsak må ikke sikringen byttes ut med en kopperbro eller lignende.

Husk alltid å ta støpslet UT AV kontakten når du skal bytte sikringer.

Bytte sikring i det innvendige vernet (FIG.C)

- 1- Ta støpslet ut av elkontakten.
- 2- Åpne batteriladeren.
- 3- Bytt ut sikringen med en ny av samme type.
- 4- Sett sammen batteriladeren.

(S)

BRUKSANVISNING



VIKTIGT: LÅS BRUKSANVISNINGEN NOGGRANNT INNAN NI ANVÄNDER BATTERILADDAREN

1. ALLMÄNNA SÄKERHETSANVISNINGAR FÖR ANVÄNDNINGEN AV DENNA BATTERILADDARE



- Under ladingen avger batteriene eksplosive gaser. Förhindra att lågor och gnistor bildas. RÖK E.J.
- Placera de batterier som ska laddas på en väl ventilerad plats.



- Vid brist av kunskap ska personer instrueras innan apparaten används.
- För korrekt användning av apparaten ska personer (inklusive barn) med nedsatt fysisk eller mental förmåga eller nedsatta sinnesintryck hållas under uppsikt av en person som ansvarar för dessas säkerhet när apparaten används.
- Barn ska hållas under uppsikt så att de inte leker med apparaten.
- Använd batteriladdaren uteslutande inomhus och försäkra er om att ventilationen är god: UTSÄTT INTE LADDAREN FÖR REGN ELLER SNÖ.
- Drag alltid först ut stickkontakten ur eluttaget innan laddningskablarna ansluts till eller lossas från batteriet.
- Anslut eller fränkoppla inte batteriladdarens tänger till eller från batteriet när batteriladdaren är i funktion.
- Använd absolut inte batteriladdaren inuti ett fordon eller i motorutrymme.
- Byt endast ut matningskabeln mot en originalkabel.
- Använd inte batteriladdaren för att ladda ej laddningsbara batterier.
- Kontrollera att den tillgängliga matningsspänningen motsvarar den som indikeras på skylten på batteriladdaren.
- För att inte skada fordonens elektroniska system ska man läsa, spara och noggrant följa de anvisningar som tillhandahålls av fordonstillverkaren, både när man använder batteriladdaren för laddning och för start. Detsamma gäller för anvisningarna från batteritillverkaren.

- Denna batteriladdare innehåller delar som strömbrytare och reläer, som kan framkalla ljusbågar eller gnistor. Om laddaren används på en bilverkstad eller liknande bör den således placeras på en säker och för ändamålet lämplig plats.
- Reparations- eller underhållsinslag inne i batteriladdaren får endast utföras av kunnig personal.
- **VARNING: DRAG ALLTID UT KONTAKTEN UR ELUTTAGET INNAN NI UTFÖR NÅGOT INGREPP FÖR KONTROLL ELLER UNDERHÅLL AV BATTERILADDAREN, FARA!**

2. INLEDNING OCH ALLMÄN BESKRIVNING

- Denna batteriladdare är avsedd för laddning av blyackumulatörer på motorfordon (bensin- och dieseldrivna), motorcyklar, båtar, osv. och den är lämplig för laddning av hermetiska batterier.
- Uppladdningsbara ackumulatörer i enlighet med tillgänglig utspänning: 6V / 3 celler; 12V / 6 celler; 24V / 12 celler.
- Apparaten laddningsström minskar enligt den karakteristiska W-kurvan och överensstämmer med DIN-normen 41774.

3. INSTALLATION

PLACERING AV BATTERILADDAREN

- Under dess funktion ska batteriladdaren placeras på ett stabilt sätt. Försäkra er om att luftgenomströmningen genom de för detta avsedda öppningarna inte hindras, dessa garanterar nämligen en god ventilation.

ANSLUTNING TILL ELNÄTET

- Batteriladdaren får endast anslutas till ett matningssystem vars nolledare är ansluten till jord. Försäkra dig om att nätspänningen överensstämmer med funktionsspänningen.
- Elnätet skal vara utrustat med ett skyddssystem, till exempel säkringar eller automatiska strömbrytare, som skall vara dimensionerade för att tåla apparatens maximala absorption.
- Anslutningen till elnätet skall utföras med en för detta avsedd kabel.
- Eventuella förlängningar av matningskabeln ska ha en lämplig sektion, som under inga omständigheter får understiga den levererade matningskabelns sektion.

4. FUNKTION

FÖRBEREDELSE INFÖR LADDNING

OBS: Innan laddningen sker måste du kontrollera att kapaciteten för de batterier (Ah) som du tänker ladda inte understiger den kapacitet som anges på skylten (C min).

Följ noggrant instruktionerna nedan i ordningsföljd.

- Avlägsna eventuella lock från batteriet så att de gaser som bildas under laddningen kan komma ut.
- Kontrollera att elektrolyten täcker battericellerna; om så inte är fallet ska man tillsätta destillerat vatten till en nivå på 5-10 mm över cellerna.



VARNING! IAKTTA STÖRSTA FÖRSIKTIGHET UNDER DETTA ARBETSSKEDE EFTERSOM ELEKTROLYTEN ÄR STARKT FRÅTANDE.

- Placera, med matningskabeln fränkopplad från nätuttaget, omkopplaren för laddning 6/12 V eller 12/24 V (om sådan finns) i enlighet med den nominella spänningen för det batteri som ska laddas.
- Kontrollera batteriterminalernas polaritet: den positiva är markerad med symbolen + och den negativa med symbolen -.
OBS: om det är svårt att se symbolerna, så kom ihåg att den positiva polen är den som inte är ansluten till maskinens chassi.
- Anslut den röda klämman för laddning till batteriets

positiva pol (med symbolen +).

Anslut den svarta klämman för laddning till bilens chassi, på långt avstånd från batteriet och från bränsleledningen.

OBS: om batteriet inte är installerat i bilen ska man ansluta klämman direkt till den negativa polen på batteriet (med symbolen -).

LADDNING

- Mata batteriladdaren genom att sticka in matningskabeln i nätuttaget och vrida strömbrytaren (om sådan finns) till ON.
- Batteriladdaren kan vara försedd med en amperemeter som indikerar laddningsströmmen (i Ampere) till batteriet; under laddningen kommer amperemeterns utslag sakta att minska för att slutligen nå ett mycket lågt värde som beror på batteriets kapacitet och skick.

FIG.A

OBS: När batteriet är laddat kan det inträffa att batterivätskan börjar "koka". Man bör då genast avbryta laddningen för att undvika att skada batteriet.



VIKTIGT: HERMETISKA BATTERIER.

Om man skulle behöva ladda denna typ av batterier, måste man vara mycket försiktig. Utför en långsam laddning och håll spänningen på batteriets terminaler under kontroll. När denna spänning, som på ett enkelt sätt kan avläsas med en vanlig tester, når 14,4 V för batterier på 12 V (7,2V för batterier på 6 V och 28,8 V för batterier på 24 V), rekommenderar vi er att avbryta laddningen.

AVSLUTNING AV LADDNING

- Koppla från matningen av batteriladdaren genom att dra ut stickkontakten på matningskabeln ur eluttaget.
- Koppla från den svarta klämman för laddning från bilens chassi eller från den negativa polen på batteriet (med symbolen -).
- Koppla från den röda klämman för laddning från bilens positiva pol (med symbolen +).
- Placera batteriladdaren på en torr plats.
 - Stäng batteriets celler igen med de för detta avsedda locken (om sådana finns).

5. SKYDDA BATTERILADDAREN (FIG.B)

Batteriladdaren är försedd med säkerhetsanordningar som utlöses vid:

- Överblastning (för hög laddningsström till batteriet).
- Kortslutning (laddningsklämmorna är i kontakt med varandra).
- Felvända plus- och minuspoler.
- På apparater försedda med säkringar måste, vid ett eventuellt byte, en säkring av motsvarande typ och värde användas.



VIKTIGT: Var noga med att använda en säkring med det värde som anges på batteriladdarens skylt för att undvika risk för skador på person eller sak. Byt, av samma anledning, aldrig ut säkringen mot bryggor av koppar eller dylikt. Byte av säkring ska göras med stickproppen UTDRAGEN ur eluttaget.

Byte av säkring för internt skydd (FIG.C)

- 1 - Drag ur stickkontakten ur eluttaget.
- 2 - Öppna batteriladdaren.
- 3 - Byt ut säkringen mot en ny av motsvarande typ och värde.
- 4 - Stäng batteriladdaren igen.

ΕΓΧΕΙΡΙΔΙΟ ΧΡΗΣΗΣ



ΠΡΟΣΟΧΗ: ΠΡΙΝ ΧΡΗΣΙΜΟΠΟΙΗΣΕΤΕ ΤΟ ΦΟΡΤΙΣΤΗ ΜΠΑΤΑΡΙΩΝ ΔΙΑΒΑΣΤΕ ΠΡΟΣΕΚΤΙΚΑ ΤΟ ΕΓΧΕΙΡΙΔΙΟ ΧΡΗΣΗΣ!

1. ΓΕΝΙΚΗ ΑΣΦΑΛΕΙΑ ΓΙΑ ΤΗ ΧΡΗΣΗ ΑΥΤΟΥ ΤΟΥ ΦΟΡΤΙΣΤΗ ΜΠΑΤΑΡΙΩΝ



- Κατά τη φόρτιση οι μπαταρίες εκπέμπουν εκρηκτικά αέρια, αποφεύγετε για αυτό να προκαλούνται φλόγες ή σπινθήρες. ΜΗΝ ΚΑΠΝΙΖΕΤΕ.
- Τοποθετείτε τις μπαταρίες που φορτίζονται σε αερισιμένο χώρο.



- Άτομα χωρίς πείρα πρέπει να ενημερώνονται κατάλληλα πριν χρησιμοποιήσουν τη μηχανή.
- Άτομα (συμπεριλαμβανομένων παιδιών) με σωματικές, αισθητήριες και διανοητικές ικανότητες ανεπαρκείς για τη σωστή χρήση της μηχανής, πρέπει να επιβλέπονται από άτομο υπεύθυνο για την ασφάλειά τους κατά τη χρήση της ίδιας.
- Τα παιδιά πρέπει να επιβλέπονται ώστε να ελέγχεται ότι δεν παίζουν με τη μηχανή.
- Χρησιμοποιείτε το φορτιστή μπαταριών αποκλειστικά σε εσωτερικούς χώρους και βεβαιωθείτε ότι ο ίδιος χώρος είναι αερισιμένος: ΜΗΝ ΕΚΘΕΤΕΤΕ ΣΕ ΒΡΟΧΗ Η ΧΙΟΝΙ.
- Αποσυνδέετε το καλώδιο τροφοδοσίας από το δίκτυο πριν συνδέσετε ή αποσυνδέσετε τα καλώδια φόρτισης της μπαταρίας.
- Μην συνδέετε ή αποσυνδέετε τις λαβίδες στην μπαταρία με το φορτιστή σε λειτουργία.
- Κατά απόλυτο τρόπο μην χρησιμοποιείτε το φορτιστή μπαταριών μέσα σε αυτοκίνητο ή μπαούλο αυτοκινήτου.
- Αντικαταστήστε το καλώδιο τροφοδοσίας μόνο με αυθεντικό καλώδιο.
- Μην χρησιμοποιήσετε το φορτιστή για τη φόρτιση μπαταριών του είδους που δεν φορτίζεται.
- Ελέγξτε ότι η διαθέσιμη τάση τροφοδοσίας αντιστοιχεί σε εκείνη που αναγράφεται στην τεχνική πινακίδα του φορτιστή.
- Για να μην βλάψετε το ηλεκτρονικό σύστημα των οχημάτων, διαβάστε, διατηρήστε και τηρήστε προσεκτικά τις ενδείξεις που χορηγούνται από τους κατασκευαστές των ιδίων οχημάτων όταν χρησιμοποιείται ο φορτιστής τόσο σε φόρτιση όσο σε εκκίνηση. Το ίδιο ισχύει για τις ενδείξεις που χορηγούνται από τον κατασκευαστή μπαταριών.
- Αυτός ο φορτιστής μπαταριών περιλαμβάνει μέρη, όπως διακόπτες ή ρελέ, που μπορούν να παράγουν τόξα ή σπινθήρες. Για αυτό αν χρησιμοποιείται σε αμαξοστάσιο ή παρόμοιο περιβάλλον, τοποθετείται το φορτιστή σε κατάλληλο χώρο ή κατάλληλη θήκη.
- Επεμβάσεις επισκευής ή συντήρησης στο εσωτερικό του φορτιστή πρέπει να εκτελούνται μόνο από ειδικευμένο προσωπικό.
- **ΠΡΟΣΟΧΗ: ΑΠΟΣΥΝΔΕΕΤΕ ΠΑΝΤΑ ΤΟ ΚΑΛΩΔΙΟ ΤΡΟΦΟΔΟΣΙΑΣ ΑΠΟ ΤΟ ΔΙΚΤΥΟ ΠΡΙΝ ΕΚΤΕΛΕΣΕΤΕ ΟΠΟΙΑΔΗΠΟΤΕ ΕΠΕΜΒΑΣΗ ΑΠΛΗΣ ΣΥΝΤΗΡΗΣΗΣ ΣΤΟ ΦΟΡΤΙΣΤΗ, ΚΙΝΔΥΝΟΣ!**

2. ΕΙΣΑΓΩΓΗ ΚΙΑ ΓΕΝΙΚΗ ΠΕΡΙΓΡΑΦΗ

- Αυτός ο φορτιστής μπαταριών επιτρέπει τη φόρτιση μπαταριών μολύβδου με ελεύθερο ηλεκτρολίτη που χρησιμοποιούνται σε κινητήρες αυτοκινήτων (βενζίνη και ντίζελ), μοτοσικλέτες, σκάφη κλπ. και είναι ενδεδειγμένος για τη φόρτιση ερμηκικών μπαταριών.
- Συμπυκνωτές που επαναφορτίζονται ανάλογα με τη διαθέσιμη τάση εξόδου: 6V / 3 κελιά, 12V / 6 κελιά, 24V / 12 κελιά.
- Το ρεύμα που παρέχεται από την εγκατάσταση ελαττώνεται κατά την χαρακτηριστική καμπύλη W ed θ σύμφωνα με τον κανονισμό DIN 41774.

3. ΕΓΚΑΤΑΣΤΑΣΗ ΤΟΠΟΘΕΤΗΣΗ ΤΟΥ ΦΟΡΤΙΣΤΗ

- Κατά τη λειτουργία τοποθετήστε σε σταθερό μέρος το φορτιστή και βεβαιωθείτε ότι δεν φράζεται ο αέρας που περνάει από τις ειδικές σχισμές και ότι εξασφαλίζεται επαρκής αερισμός.

ΣΥΝΔΕΣΗ ΣΤΟ ΔΙΚΤΥΟ

- Ο φορτιστής πρέπει να συνδεθεί αποκλειστικά σε σύστημα τροφοδοσίας με ουδέτερο γειωμένο αγωγό. Ελέγξτε ότι η τάση δικτύου αντιστοιχεί στην τάση λειτουργίας.
- Η γραμμή τροφοδοσίας πρέπει να είναι εφοδιασμένη με συστήματα προστασίας, όπως ασφάλειες ή αυτόματους διακόπτες, επαρκείς για να αντέχεται η μέγιστη απορρόφηση της εγκατάστασης.
- Η σύνδεση στο δίκτυο πρέπει να εκτελείται με κατάλληλο καλώδιο.
- Ενδεχόμενες προεκτάσεις του καλωδίου τροφοδοσίας πρέπει να έχουν κατάλληλη διάμετρο και, οπωσδήποτε, όχι καλύτερη από εκείνη του προμηθευμένου καλωδίου.

4. ΛΕΙΤΟΥΡΓΙΑ ΠΡΟΤΟΞΙΜΑΣΙΑ ΓΙΑ ΤΗ ΦΟΡΤΙΣΗ

ΠΡΟΣΟΧΗ: Πριν εκτελέσετε τη φόρτιση, ελέγξτε ότι η ικανότητα των μπαταριών (Ah) που θέλετε να φορτίσετε δεν είναι καλύτερη από εκείνη που αναγράφεται στην πινακίδα (C min). Ακολουθήστε τις ενδείξεις φηρώντας προσεκτικά την παρακάτω ενδεδειγμένη σειρά.

- Αφαιρέστε τα καλύμματα της μπαταρίας αν υπάρχουν ώστε να απομακρυνθούν τα αέρια που παράγονται κατά τη φόρτιση.
- Ελέγξτε ότι η στάθμη του ηλεκτρολίτη σκεπάζει τις πλάκες των μπαταριών. Αν αυτές δεν είναι σκεπασμένες, προσθέστε απεσταγμένο νερό μέχρι να βυθιστούν κατά 5 -10 mm.



ΠΡΟΣΟΧΗ: ΔΩΣΤΕ ΤΗ ΜΕΓΙΣΤΗ ΠΡΟΣΟΧΗ ΚΑΤΑ ΑΥΤΗΝ ΤΗΝ ΕΝΕΡΓΕΙΑ ΔΙΟΤΙ Ο ΗΛΕΚΤΡΟΛΙΤΗΣ ΕΙΝΑΙ ΕΝΑ ΟΞΥ ΑΚΡΩΣ ΔΙΑΒΡΩΤΙΚΟ.

- Με καλώδιο τροφοδοσίας αποσυνδεδεμένο από την πρίζα δικτύου, τοποθετήστε τον εκτροπέα φορτίου 6/12 V ή 12/24 V (αν υπάρχει) σε συνάρτηση της ονομαστικής τάσης της μπαταρίας προς φόρτιση.
- Ελέγξτε την πολικότητα των ακροδεκτών της μπαταρίας: θετικό το σύμβολο + και αρνητικό το σύμβολο -.
- ΣΗΜΕΙΩΣΗ: αν τα σύμβολα δεν ξεχωρίζονται υπενθυμίζεται ότι ο θετικός ακροδέκτης είναι εκείνος μη συνδεδεμένος στο πλαίσιο της μηχανής.
- Συνδέστε τη λαβίδα φορτίου κόκκινη στον θετικό ακροδέκτη της μπαταρίας (σύμβολο +).
- Συνδέστε τη λαβίδα μαύρη στο πλαίσιο της μηχανής, μακριά από την μπαταρία και από τον αγωγό καύσιμου.
- ΣΗΜΕΙΩΣΗ: αν η μπαταρία δεν εγκαθίσταται στη μηχανή, συνδέστε κατευθείαν στον αρνητικό ακροδέκτη της μπαταρίας (σύμβολο -).

ΦΟΡΤΙΟ

- Τροφοδοτήστε το φορτιστή μπαταριών βάζοντας το καλώδιο τροφοδοσίας στην πρίζα δικτύου και τοποθετώντας σε ON το διακόπτη (αν υπάρχει).

РУКОВОДСТВО ПОЛЬЗОВАТЕЛЯ



- Το αμπερόμετρο (αν υπάρχει) δείχνει το ρεύμα (σε Αμπερ) φορτίου της μπαταρίας: κατά αυτήν την φάση θα παρατηρηθεί ότι η ένδειξη του αμπερόμετρου ελαττώνεται αργά μέχρι πολύ χαμηλές τιμές σε συνάρτηση της ικανότητας και των συνθηκών μπαταρίας.
Εικ.Α

ΣΗΜΕΙΩΣΗ: Όταν η μπαταρία θα είναι φορτισμένη θα μπορείτε επίσης να παρατηρήσετε μια έναρξη «βρασμού» του υγρού που περιέχεται στην μπαταρία. Συμβουλευτείται να διακόψετε τη φόρτιση στην αρχή αυτού του φαινομένου ώστε να αποφύγετε ζημιές στην μπαταρία.

ΠΡΟΣΟΧΗ: ΕΡΜΗΤΙΚΕΣ ΜΠΑΤΑΡΙΕΣ.

Αν παρουσιαστεί η ανάγκη να εκτελέσετε τη φόρτιση αυτού του τύπου μπαταριών, δώστε τη μεγαλύτερη προσοχή. Κάντε μια αργή φόρτιση κρατώντας υπό έλεγχο την τάση στους ακροδέκτες της μπαταρίας. Όταν αυτή η τάση, εύκολα αναγνώσιμη με κοινό tester, φτάνει τα 14,4V για τις μπαταρίες 12V (7,2 για τις μπαταρίες 6V και 28,8V για τις μπαταρίες 24V) συνιστάται να διακόψετε τη φόρτιση.


ΤΕΛΟΣ ΦΟΡΤΙΣΗΣ

- Αφαιρέστε την τροφοδοσία από το φορτιστή μπαταριών απουσιάζοντας το καλώδιο από την πρίζα δικτύου.
- Αποσυνδέστε τη λαβίδα φορτίου μαύρη από το πλαίσιο της μηχανής ή από τον αρνητικό ακροδέκτη της μπαταρίας (σύμβολο -).
- Αποσυνδέστε τη λαβίδα φορτίου κόκκινη από το πλαίσιο της μηχανής ή από το θετικό αρνητικό ακροδέκτη της μπαταρίας (σύμβολο +).
- Τοποθετήστε το φορτιστή μπαταριών σε στεγνό μέρος.
- Κλείστε ξανά τα καλώδια της μπαταρίας με τα ειδικά πώματα (αν υπάρχουν).

5. ΠΡΟΣΤΑΣΙΕΣ ΤΟΥ ΦΟΡΤΙΣΤΗ ΜΠΑΤΑΡΙΩΝ (Εικ.Β)

Ο φορτιστής μπαταριών προβλέπει μια προστασία που επεμβαίνει σε περίπτωση:

- Υπερφόρτισης (υπερβολική παροχή ρεύματος προς την μπαταρία).
- Βραχυκυκλώματος (λαβίδες φορτίου σε επαφή μεταξύ τους).
- Αντίστροφη πολικότητα στους ακροδέκτες της μπαταρίας.
- Στις εγκαταστάσεις εφοδιασμένες μ ασφάλειες είναι απαραίτητο, σε περίπτωση αντικατάστασης, να χρησιμοποιήσετε ανάλογα ανταλλακτικά με ίδια τιμή ονομαστικού ρεύματος.

 **ΠΡΟΣΟΧΗ:** Αντικαταστήστε την ασφάλεια με τιμές διαφορετικές από εκείνες που αναγράφονται στην πινακίδα, θα μπορούσε να προκαλέσει βλάβες σε πρόσωπα και πράγματα. Για τον ίδιο λόγο, αποφεύγετε κατά απόλυτο τρόπο την αντικατάσταση της ασφάλειας με γέφυρες από χαλκό ή άλλο υλικό. Η ενέργεια αντικατάστασης της ασφάλειας πρέπει να εκτελείται πάντα με το καλώδιο τροφοδοσίας ΑΠΟΣΥΝΔΕΔΕΜΕΝΟ από το δίκτυο.

Αντικατάσταση εσωτερικής ασφάλεια προστασίας (Εικ.С)

- 1 - Αποσυνδέστε το καλώδιο τροφοδοσίας από το δίκτυο.
- 2 - Ανοίξτε το φορτιστή μπαταριών.
- 3 - Αντικαταστήστε την ασφάλεια με άλλη ίσης τιμής.
- 4 - Κλείστε πάλι το φορτιστή.

ВНИМАНИЕ:
ПЕРЕД ИСПОЛЬЗОВАНИЕМ ЗАРЯДНОГО УСТРОЙСТВА АККУМУЛЯТОРНОЙ БАТАРЕИ ВНИМАТЕЛЬНО ПРОЧИТАТЬ РАБОЧЕЕ РУКОВОДСТВО.

1. ОБЩАЯ БЕЗОПАСНОСТЬ ПРИ ИСПОЛЬЗОВАНИИ ДАННОГО ЗАРЯДНОГО УСТРОЙСТВА



- Во время зарядки из аккумуляторной батареи выходит взрывчатый газ, избегать образования пламени и искрения. НЕ КУРИТЬ.
- Установить аккумуляторную батарею во время зарядки в хорошо проветриваемое место.



- Неопытный персонал должен пройти соответствующее обучение перед использованием оборудования.
- Люди (включая детей), чьи физические, сенсорные, умственные способности недостаточны для правильного использования оборудования, должны находиться под наблюдением ответственного за их безопасность человека во время его использования.
- Необходимо вести наблюдение за детьми, чтобы убедиться, что они не играют с оборудованием.
- Использовать зарядное устройство батареи только в помещении и работать в хорошо проветриваемых местах: НЕ ПОДВЕРГАТЬ ДЕЙСТВИЮ ДОЖДЯ И СНЕГА.
- Отсоединить от сети кабель питания перед тем, как соединять и отсоединять зарядный кабель от аккумуляторной батареи.
- Не присоединять и не отсоединять зажимы от батареи при работающем зарядном устройстве батареи.
- Никогда не использовать зарядное устройство батареи внутри салона автомобиля или внутри капота.
- Заменять кабель питания только на оригинальный кабель.
- Не использовать зарядное устройство батареи для зарядки аккумуляторных батарей не заряжаемого типа.
- Проверить, что имеющееся напряжение питания соответствует указанному на табличке с характеристиками зарядного устройства батареи.
- Для того, чтобы не повредить электронную систему автомобиля, прочитать, хранить и тщательно выполнять инструкции, предоставленные производителем транспортного средства, когда зарядное устройство батареи используется как для зарядки, так и для пуска; то же относится к инструкциям, предоставленным производителем батареи.
- Это зарядное устройство батареи включает такие части, как переключатели и реле, могущие спровоцировать дугу и искры; поэтому, если вы используете устройство в гараже и подобном

- помещении, поместить зарядное устройство аккумуляторной батареи в место, подходящее для его хранения.
- Ремонт и техобслуживание внутренней части зарядного устройства батареи должны выполняться только опытным персоналом.
- **ВНИМАНИЕ: ВСЕГДА ОТСОЕДИНЯТЬ КАБЕЛЬ ПИТАНИЯ ОТ СЕТИ ПЕРЕД ТЕМ, КАК ВЫПОЛНЯТЬ ЛЮБЫЕ ДЕЙСТВИЯ ОБЫЧНОГО ТЕХОБСЛУЖИВАНИЯ ЗАРЯДНОГО УСТРОЙСТВА БАТАРЕИ, ОПАСНОСТИ!**

2. ВВЕДЕНИЕ И ОБЩЕЕ ОПИСАНИЕ

- Это зарядное устройство батареи позволяет осуществлять заряд свинцовых аккумуляторных батарей со свободным электролитом, используемых на автомобилях с двигателями (бензин и дизель), мотоциклах, моторных лодках, и т. д.
- Заряжаемые аккумуляторы, в зависимости от наличия напряжения на выходе. 6В / 3 ячейки; 12В / 6 ячеек; 24В / 12 ячеек.
- Зарядный ток, подаваемый оборудованием, понижается в соответствии с характеристической кривой W и в соответствии с стандартом DIN 41774.

3. УСТАНОВКА

РАЗМЕЩЕНИЕ ЗАРЯДНОГО УСТРОЙСТВА БАТАРЕИ

- Во время функционирования разместить зарядное устройство батареи, так, чтобы оно находилось в устойчивом положении и проверить, что проход воздуха через соответствующие отверстия не затруднен, обеспечивая необходимую вентиляцию.

СОЕДИНЕНИЕ С СЕТЬЮ

- Зарядное устройство батареи должно соединяться только с системой питания с нулевым проводником, соединенным с заземлением.
- Проверить, что напряжение сети равнозначно рабочему напряжению.
- Линия питания должна быть укомплектована защитной системой, предохранителями или автоматическими выключателями, достаточными для того, чтобы выдерживать максимальное поглощение оборудования.
- Соединение с сетью выполняется при помощи специального кабеля.
- Удлинитель кабеля питания должны иметь соответствующее сечение и, в любом случае, быть не меньше поставляемого кабеля.

4. РАБОТА

ПОДГОТОВКА К ЗАРЯДКЕ

ПРИМ.: Перед тем, как начать зарядку, следует проверить, что емкость батареи (Ah), которую собираются заряжать, не ниже указанной на табличке характеристик (C min).

Выполнить инструкцию, точно выполняя приведенную далее последовательность.

- Снять крышки аккумуляторной батареи, если таковые имеются, чтобы вырабатывающийся при зарядке газ мог отходить.
- Проверить, что уровень электролита закрывает пластины аккумуляторной батареи; если они открыты, добавить дистиллированную воду, пока они не будут закрыты на 5-10 мм.

⚠ ВНИМАНИЕ: СОБЛЮДАТЬ МАКСИМАЛЬНУЮ ОСТОРОЖНОСТЬ ВО ВРЕМЯ ВЫПОЛНЕНИЯ ЭТОЙ ОПЕРАЦИИ, ПОСКОЛЬКУ ЭЛЕКТРОЛИТ ЭТО СИЛЬНО КОРРОЗИВНАЯ КИСЛОТА.

- При отсоединении от розетки сети кабеле питания установить девиатор заряда 6/12 В или 12/24 В (если имеется), в зависимости от номинального напряжения аккумуляторной батареи, которую необходимо зарядить.

- Проверить полярность зажимов аккумуляторной батареи: положительный на символе + и отрицательный на символе -.
- ПРИМЕЧАНИЕ:** если символы трудно различимы, напоминаем, что положительный зажим это тот, который не соединен со станиной машины.
- Соединить зарядный зажим красного цвета с положительной клеммой батареи (символ +).
- Соединить зарядный зажим черного цвета со станиной машины, далеко от батареи и от топливного канала.
- ПРИМЕЧАНИЕ:** если аккумуляторной батарее не установлена в машине, следует соединяться прямо с отрицательной клеммой батареи (символ -).

ЗАРЯДКА

- Подать питание к зарядному устройству батареи, вставив кабель питания в сетевую розетку и установив переключатель на ON (ВКЛ.) (если имеется).
- Амперметр (если имеется) указывает ток (в амперах) зарядки аккумуляторной батареи: во время этой фазы вы заметите, что показания амперметра будут медленно уменьшаться до очень низких значений, в зависимости от емкости и состояния батареи.

Рис.А

ПРИМЕЧАНИЕ: Когда аккумуляторная батарея заряжена, можно будет заметить начало «кипения» жидкости, находящейся в батарее. Рекомендуется прервать зарядку уже в начале этого явления, чтобы избежать повреждения аккумуляторной батареи.

ВНИМАНИЕ: ГЕРМЕТИЧНЫЕ АККУМУЛЯТОРНЫЕ БАТАРЕИ.

⚠ Если возникнет необходимость выполнить заряд этого типа аккумуляторных батарей, следует соблюдать максимальную осторожность. Произвести медленный заряд, держа под контролем напряжение на клеммах аккумуляторной батареи. Когда это напряжение, легко определяемое при помощи простого тестера, достигает 14,4 В для аккумуляторных батарей на 12 В (7,2 В для аккумуляторных батарей на 6 В и 28,8 В для аккумуляторных батарей на 24 В) рекомендуется прервать зарядку.

КОНЕЦ ЗАРЯДКИ

- Отключить питания от зарядного устройства батареи, отсоединив кабель от розетки сети.
- Отсоединить зарядный зажим черного цвета от корпуса машины или от отрицательной клеммы батареи. (символ -).
- Отсоединить зарядный зажим красного цвета от положительной клеммы батареи (символ +).
- Поместить зарядное устройство батареи в сухое место
- Закрыть ячейки аккумуляторной батареи специальными пробками (если имеются).

5. ЗАЩИТА ЗАРЯДНОГО УСТРОЙСТВА АККУМУЛЯТОРА (Рис.В)

Зарядное устройство батареи оборудовано защитами, срабатывающими в случае:

- Перегрузки (избыточный ток подается к батарее).
- Короткого замыкания (зарядные зажимы вошли в контакт друг с другом).
- Изменение местами полярности на клеммах батареи.
- У оборудования, оснащенного плавкими предохранителями, является обязательным при замене использовать аналогичные запчасти, имеющие те же значения номинального тока.

⚠ ВНИМАНИЕ: При замене плавкого предохранителя на другой со значениями тока,

отличающимися от указанных на табличке, может привести к нанесению ущерба людям или предметам. По этой же причине следует категорически избегать использовать плавкие предохранители с медными перемычками или перемычками из другого материала. Операция замены предохранителя всегда выполняется при ОТСОЕДИНЕННОМ от сети кабеле питания.

Замена плавкого предохранителя внутренней защиты (Рис.С)

- 1- Отсоединить кабель питания от сети.
- 2- Открыть зарядное устройство батареи.
- 3- Заменить плавкий предохранитель на другой одинаковой величины.
- 4- Вновь закрыть зарядное устройство батареи.

(H)

HASZNÁLATI UTASÍTÁS



FIGYELEM: AZ AKKUMULÁTORTÖLTŐ HASZNÁLATA ELŐTT FIGYELMESEN OLVASSA EL A HASZNÁLATI UTASÍTÁST!

1. ÁLTALÁNOS BIZTONSÁGI RENDELKEZÉSEK AZ AKKUMULÁTORTÖLTŐ HASZNÁLATÁHOZ



- Az akkumulátor töltése alatt robbanógázok jönnek létre, el kell kerülni láng és szikrák keletkezését. TILOS A DOHÁNYZÁS.
- A töltés alatt álló akkumulátorokat jól szellőző helyen kell elhelyezni.



- **A tapasztalatlan személyeket idejében, a készülék használatba vétele előtt be kell tanítani.**
- **A készülék helyes használatához nem kielégítő testi, érzékelési és szellemi képességű személyekre (gyermeket beleértve) olyan személynek kell felügyelni a készülék használatát során, aki azok biztonságáért felelősséget vállal.**
- **A gyermekeket felügyelet alatt kell tartani azért, hogy ne játszanak a készülékkel.**
- Az akkumulátortöltő kizárólag zárt, jól szellőző helyiségben üzemeltethető. A BERENDEZÉS ESŐNEK VAGY HÓNAK NEM TEHETŐ KI.
- A töltőberendezés kábeleinek az akkumulátorhoz való csatlakoztatása vagy az azzal már létrejött csatlakozás megszakítása előtt az áramellátási kábel és a hálózat közötti kapcsolatot meg kell szakítani.
- Ne hozzon létre csatlakozást a fogók és az akkumulátor között, valamint ne szakítsa meg a már létrehozott ilyen csatlakozást az akkumulátortöltő üzemelésének ideje alatt.
- Ne használja az akkumulátortöltőt személygépköci, vagy a motorházatető terén belül.
- Az áramellátási kábel csak eredeti kábellel helyettesíthető.
- Ne használja az akkumulátortöltőt nem tölthető akkumulátorok töltésére.

- Ellenőrizni kell, hogy a rendelkezésre álló áramellátási feszültség megfelel-e az akkumulátortöltő adat-tábláján feltüntetettnek.
- Annak érdekében, hogy a járművek elektronikája ne károsodjon, a járművek gyártói által szolgáltatott használati utasítást gondosan el kell olvasni, meg kell őrizni és az abban feltüntetetteket be kell tartani úgy a töltés megkezdésekor, mint az akkumulátortöltő üzemelése során; ugyanez érvényes az akkumulátorok gyártója által megadott utasításokra.
- Ehhez az akkumulátortöltőhöz olyan alkatrészek tartoznak, nevezetesen a megszakítók vagy a relé, melyek iverk vagy szikrák létrejöttét idézhetik elő még akkor is, ha üzemeltetése garázsban vagy ahhoz hasonló helyiségben történik; az akkumulátortöltőt a célnak megfelelő helyen vagy tartóban kell tárolni.
- Az akkumulátortöltő belsejében javítási, vagy karbantartási műveleteket kizárólag szakértő személy végezhet.
- **FIGYELEM: AZ AKKUMULÁTORTÖLTŐ BÁRMELY EGYSZERŰ KARBANTARTÁSI MŰVELETÉNEK VÉGREHAJTÁSA ELŐTT MEG KELL SZAKÍTANI AZ ÁRAMELLÁTÁSI KÁBEL KAPCSOLATÁT A HÁLÓZATTAL, MERT AZ VESZÉLYES LEHET!**

2. BEVEZETŐ ÉS ÁLTALÁNOS ISMERTETÉS

- Ez az akkumulátortöltő lehetővé teszi az akkumulátor töltését motoros járműveken (benzin vagy diesel), motorkerékpárokon, kis hajókon stb. szabadon használt elektrolit ólommal.
- A rendelkezésre álló, kimeneti feszültség függvényében feltölthető akkumulátorok: 6V / 3 cellás; 12V / 6 cellás; 24V / 12 cellás.
- A berendezés által szolgáltatott töltési áram a W jelleggörbe szerint és a DIN 41774 előírással összhangban csökken.

3. ÖSSZESZERELÉS

AZAKKUMULÁTORTÖLTŐ ELHELYEZÉSE

- Az akkumulátortöltőt működése során szilárd helyzetbe kell állítani, és meg kell győződni arról, hogy a megfelelő nyílásokon keresztül, elégséges szellőzést biztosító levegőáramlás nem akadályozott.

ÖSSZEKAPCSOLÁS AZ ÁRAMELLÁTÁSI HÁLÓZATTAL

- Az akkumulátortöltőt kizárólag földelt, nulla vezetékű áramellátási rendszerrel lehet összekapcsolni. Ellenőrizni kell, hogy a hálózati feszültség azonos értékű e a működési feszültséggel.
- A tápvezeték olyan védőrendszerekkel, olvadóbiztosítékokkal, vagy automata megszakítókcal kell legyen ellátva, melyek elegendően a berendezés maximális abszorpciójának elviseléséhez.
- A hálózathoz való kapcsolást megfelelő kábellel kell végrehajtani.
- Az áramellátási kábel esetleges hosszabbítóinak megfelelő keresztmetszetűnek kell lenniük, melynek értéke különben soha nem lehet kevesebb az áramellátási kábel keresztmetszete értékénél.

4. MŰKÖDÉS

TÖLTÉS ELŐKÉSZÍTÉSE

MEGJEGYZÉS: A töltés megkezdése előtt ellenőrizni kell, hogy a feltöltendő akkumulátorok kapacitása (Ah) nem kevesebb a táblán feltüntetettnél (C min.)

Az alábbi sorrend gondos betartásával végre kell hajtani az utasításokat.

- El kell távolítani az akkumulátor fedeleit (amennyiben vannak), hogy a töltés során keletkező gázok kiáramolhassanak.
- Ellenőrizni kell, hogy az elektrolit szintje befedi az akkumulátor lemezeit; amennyiben ezek fedetlennek mutatkoznak, desztillált vizes feltöltést kell alkalmazni úgy, hogy a lemezek 5-10 milliméterrel a folyadék alatt legyenek.



FIGYELEM! E MŰVELETNEK IGEN NAGY FIGYELMET KELL SZENTELNI, MIVEL AZ ELEKTROLIT IGEN ERŐSEN MARÓ HATÁSÚ SAV.

- A hálózati csatlakozótól megszakított áramellátási kábellel be kell állítani a töltés kapcsolóját (amennyiben van) 6/12V vagy 12/24V értékre, a feltöltendő akkumulátor nominális feszültségétől függően.
- Ellenőrizni kell az akkumulátor sarkainak polaritását: a pozitív polaritás jele (+) a negatív (-).
MEGJEGYZÉS: Amennyiben a jelek nem különböztethetők meg, emlékezni kell arra, hogy a pozitív sarak az, mely nem csatlakoztatott a gépkocsi alvázkeretéhez.
- A töltés piros színű fogóját az akkumulátor pozitív (+ jel) sarkához kell csatlakoztatni.
- A töltés fekete színű fogóját a gépkocsi alvázkeretéhez kell csatlakoztatni, az akkumulátortól és az üzemenyag vezetőktől távol.
- MEGJEGYZÉS: Amennyiben akkumulátor nincs a gépkocsiba szerelve, közvetlenül az akkumulátor negatív sarkával (- jel) kell kapcsolást létrehozni.

TÖLTÉS

- Az akkumulátortöltő áramellátása a tápvezeték kábelének a hálózati csatlakozóba való bekötésével kell hogy történjen.
 - Az ampermérő (amennyiben van) jelzi az akkumulátor töltési áramát (amperben), e szakaszban megfigyelhető, hogy az ampermérő jelzése az akkumulátor kapacitásától és helyzetétől függően lassan csökken, egészen alacsony értékek eléréséig.
- A Ábr.**

MEGJEGYZÉS: Miközben az akkumulátor töltés alatt áll megfigyelhető, hogy „pezsegni” kezd az a folyadék, melyet az akkumulátor tartalmaz. Az akkumulátor károsodásának elkerülése érdekében már e jelenség keletkezésekor ajánlatos megszakítani a töltést.

FIGYELEM: LÉGMENTESEN ZÁRT AKKUMULÁTOROK



Amennyiben ilyen típusú akkumulátort szükséges tölteni, igen nagy figyelemmel kell azt tenni. A töltést igen lassan kell végezni, ellenőrizve az akkumulátor sarkainak feszültségét. Amikor ez a feszültség mely egy teszter segítségével könnyen mérhető eléri a 14,4V értéket 12V működésre meghatározott akkumulátorok esetében (6 V működésre meghatározott akkumulátorok esetében a 7,2V, valamint 24V működésre meghatározott akkumulátorok esetében a 28,8 V értéket), ajánlatos a töltést megszakítani.

TÖLTÉS VÉGE

- Meg kell szakítani az akkumulátortöltő áramellátását eltávolítva annak kábelét a hálózati csatlakozóból.
- Meg kell szakítani a fekete színű töltési fogó csatlakozását a gépkocsi alvázkeretével, vagy az akkumulátor negatív sarkával (-jelzés).
- Meg kell szakítani a piros színű töltési fogó csatlakozását az akkumulátor pozitív sarkával (+jelzés).
- Az akkumulátortöltőt újból száraz helyen kell elhelyezni.
- Megfelelő dugókkal (amennyiben vannak) újból be kell csukni az akkumulátor celláit.

5. AZ AKKUMULÁTORTÖLTŐ VÉDELMEI (B Ábr.)

Az akkumulátortöltő védelemmel van ellátva, mely az alábbi esetekben lép működésbe:

- Túterhelés (túlzott áramszolgáltatás az akkumulátor felé).
- Rövidzárlat (a töltési fogók kapcsolatba kerülnek egymással).
- Apolaritás inverziója az akkumulátor sarkain.
- Az olvadóbiztosítókkal ellátott berendezéseknél csere

esetén kötelező analóg, a nominális áram azonos értékével rendelkező cserealkatrész használata.



FIGYELEM: Az áram olyan értékével rendelkező olvadóbiztosítókkal való csere, mely nem éri el a táblán feltüntetettet, úgy személyre, mint tárgyra nézve veszélyes lehet. Ugyanezen oknál fogva maximálisan kerülni kell az olvadóbiztosítókat réz-mérőhidakkal, vagy egyéb anyagokkal való pótlását.
Az olvadóbiztosítók cseréjének műveletét a hálózattól MEGSZAKÍTOTT áramellátási kábellel kell végezni.

Védelmi olvadóbiztosítók belső cseréje (C Ábr.)

- 1 - Az áramellátási kábel és a hálózat kapcsolatát meg kell szakítani.
- 2 - Ki kell nyitni az akkumulátortöltőt.
- 3 - Az olvadóbiztosítók azonos értékűvel kell kicserélni.
- 4 - Újból be kell zárni az akkumulátortöltőt.

(RO)

MANUAL DE INSTRUCȚIUNI



ATENȚIE: CITIȚI CU ATENȚIE ACEST MANUAL DE INSTRUCȚIUNI ÎNAINTE DE FOLOSIREA ÎNCĂRCĂTORULUI DE BATERII!

1. MĂSURI DE SIGURANȚĂ GENERALE PENTRU UTILIZAREA ACESTUI ÎNCĂRCĂTOR DE BATERII



- În timpul încercării se emană gaz exploziv, evitați flăcările deschise și formarea scânteilor. FUMATUL INTERZIS.
- Poziționați bateriile în încărcător într-un spațiu aerisit.



- Persoanele fără experiență trebuie să fie instruite coresponsator înainte de a folosi aparatul.
- În vederea folosirii corecte a aparatului, persoanele (inclusiv copiii), ale căror capacități fizice, senzoriale, mentale sunt insuficiente, trebuie să fie supravegheate de către o persoană răspunzătoare pentru siguranța lor în timpul folosirii aparatului.
- Copiii trebuie să fie supravegheați pentru a vă asigura că nu se joacă cu aparatul.
- Folosiți încărcătorul de baterii exclusiv în interior și asigurați-vă că acesta funcționează în medii bine aerișite. **NU EXPUNEȚI APARATUL LA PLOI SAU LA ZĂPADĂ.**
- Deconectați cablul de alimentare de la rețea înainte de a conecta sau a deconecta cablurile de încărcare de la baterie.
- Nu conectați sau deconectați clemele încărcătorului la/de la bornele bateriei cu acesta în funcțiune.
- Nu folosiți niciodată încărcătorul de baterii în interiorul unui vehicul sau al portbagajului.
- Înlocuiți cablul de alimentare numai cu un cablu original.
- Nu folosiți încărcătorul de baterii pentru baterii care nu sunt reîncărcabile.
- Verificați ca tensiunea de alimentare disponibilă să corespundă cu cea indicată pe placa indicatoare a aparatului.
- Pentru a nu defecta electronica vehiculului, citiți, păstrați

și respectați în totalitate măsurile de precauție furnizate de producătorul vehiculului respectiv atunci când se folosește încărcătorul de baterii, atât atunci când este pornit cât și atunci când încarcă; același lucru este valabil pentru indicațiile furnizate de producătorul bateriilor.

- Acest încărcător de baterii conține părți precum întrerupători sau releu, care pot provoca arcuri sau scântei; de aceea în cazul în care se utilizează într-un garaj sau într-un mediu similar, amplasați aparatul într-un spațiu izolat sau protejați-l cu o acoperitoare adecvată.
- Orice intervenție de reparație sau de întreținere în interiorul încărcătorului de baterii trebuie să fie efectuată numai de către personal calificat.
- **ATENȚIE: DECONECTAȚI ÎN TOTDEAUNA CABLUL DE ALIMENTARE DE LA REȚEA ÎNAINTE DE A EFECTUA ORICE SIMPLĂ INTERVENȚIE DE ÎNȚETINERE A ÎNCĂRCĂTORULUI DE BATERII. PERICOL!**

2. INTRODUCERE ȘI DESCRIERE GENERALĂ

- Acest încărcător de baterii permite încărcarea bateriilor cu plumb cu electrolit lichid folosite pe vehiculele cu motor (benzină și diesel), motocicletele, ambarcațiuni, etc.
- Acumulatorii reîncărcabile în funcție de tensiunea de ieșire disponibilă: 6V / 3 celule; 12V / 6 celule; 24V / 12 celule.
- Curentul de încărcare furnizat de aparat scade în funcție de curba caracteristică W și corespunde normei DIN 41774.

3. INSTALARE

POZIȚIONAREA ÎNCĂRCĂTORULUI DE BATERII

- În timpul funcționării, poziționați aparatul pe o suprafață stabilă și asigurați-vă că nu se blochează trecerea aerului prin deschizăturile corespunzătoare și că se garantează o bună ventilație.

CONECTAREA LA REȚEAUA DE ALIMENTARE

- Încărcătorul de baterii trebuie să fie conectat numai la un sistem de alimentare cu conductor de nul legat la pământ.
- Verificați ca tensiunea de rețea să fie cea corespunzătoare tensiunii de funcționare.
- Rețeaua de alimentare trebuie să fie dotată cu sisteme de protecție precum siguranțe sau întrerupătoare automate, suficiente pentru a suporta curentul maxim absorbit de aparat.
- Conectarea la rețea trebuie să se efectueze cu un cablu corespunzător.
- Eventuale prelungitoare ale cablului de alimentare trebuie să aibă o secțiune transversală adecvată și oricum niciodată inferioară cablului furnizat.

4. FUNCȚIONARE

PREGĂTIREA PENTRU ÎNCĂRCARE

NB.: Înainte de a începe operația de reîncărcare a bateriilor, verificați dacă capacitatea bateriilor (Ah) care trebuie să fie reîncărcate nu este inferioară celei indicate pe tablă (C min.).

Efectuați operația respectivă urmând cu strictețe ordinea indicațiilor de mai jos.

- Înlăturați eventualele capace de pe baterie (dacă există), astfel încât gazele care se degajă în timpul reîncărcării să se poată evapora.
- Controlați ca nivelul electrolitului să acopere plăcile bateriei; dacă acestea sunt descoperite, adăugați apă distilată până când electrolitul va acoperi cu 5-10 mm plăcile.



ATENȚIEI AVEȚI MARE GRIJĂ ÎN TIMPUL ACESTOR OPERAȚII DEOARECE ELECTROLITUL ESTE UN ACID CU UN POTENȚIAL COROSIV FOARTE RIDICAT.

- Cu cablul de alimentare deconectat de la priza de rețea poziționați selectorul de încărcare la 6/12 V sau la 12/24 V (dacă este prezent) în funcție de tensiunea nominală a bateriei de încărcat.
- Verificați polaritatea bornelor bateriei: pozitiv, simbolul „+” și negativ, simbolul „-”.
- **OBSERVAȚIE:** dacă simbolurile nu sunt vizibile, rețineți că borna pozitivă este cea neconectată la cadrul vehiculului.
- Conectați clema de încărcare de culoare roșie la borna pozitivă a bateriei (simbolul +).
- Conectați clema de încărcare de culoare neagră la cadrul mașinii, departe de baterie și de conductele de carburant.
- **OBSERVAȚIE:** dacă bateria nu este instalată în mașină, conectați direct la borna negativă a bateriei (simbolul „-”).

REÎNCĂRCAREA

- Alimentați încărcătorul de baterii introducând cablul în priza de alimentare.
- Ampermetrul (dacă există) indică curentul (în amperi) de încărcare a bateriei. În timpul acestei operații se va observa că acul ampermetrului va scade spre valori foarte scăzute în funcție de capacitatea și de condițiile bateriei.

Fig. A

OBSERVAȚIE: Când bateria este încărcată se va mai putea remarca un fenomen de „fierbere” al lichidului din baterie. Se recomandă întreruperea operației de încărcare imediat ce acest fenomen a apărut, pentru a evita avariarea bateriei.

ATENȚIE: BATERII HERMETICE.



Se va acorda o deosebită atenție în cazul în care este necesară reîncărcarea acestui tip de baterii. Efectuați o încărcare lentă, ținând sub observație tensiunea de la bornele bateriei. Atunci când tensiunea, ușor măsurabilă cu un tester obișnuit, atinge 14,4 V pentru bateriile de 12 V (7,2 pentru bateriile cu 6 V și 28,8 V pentru bateriile cu 24 V), se recomandă întreruperea operației de reîncărcare.

SFÂRȘITUL OPERAȚIEI DE ÎNCĂRCARE A BATERIEI

- Scoateți cablul încărcătorului de baterii din priza de alimentare.
- Deconectați clema neagră a încărcătorului de la cadrul mașinii sau de la borna negativă a bateriei (simb. „-”).
- Deconectați clema de încărcare de culoare roșie de la borna pozitivă a bateriei (simb. „+”).
- Depozitați încărcătorul de baterii într-un loc uscat și ferit de umezeală.
- Închideți găurile bateriei cu capacele corespunzătoare (dacă există).

5. PROTECȚIILE ÎNCĂRCĂTORULUI DE BATERII (FIG. B)

Încărcătorul de baterii este dotat cu o protecție care intervine dacă:

- Este pericol de supraîncărcare (transmitere excesivă de curent spre baterie).
- Este pericol de scurtcircuit (clemele de încărcare fac contact între ele).
- Se inversează polaritatea la bornele bateriei.
- La aparatele dotate cu siguranțe, în cazul schimbării acestora, este obligatorie folosirea pieselor de schimb similare, care au aceeași valoare de curent nominală.



ATENȚIE: Înlocuirea unei siguranțe cu curent nominal diferit de cel indicat pe placă poate provoca accidentarea persoanelor sau deteriorarea obiectelor. Din același motiv, evitați în mod absolut înlocuirea siguranțelor cu punți de cupru sau alte materiale. Operația de înlocuire a siguranței se va efectua întotdeauna cu cablul de alimentare DECONECTAT de

la rețea.

Înlocuirea sigurantei de protecție internă (FIG. C)

- 1 - Deconectați cablul de alimentare de la rețea.
- 2 - Deschideți încărcătorul de baterii.
- 3 - Înlocuiți siguranța cu una de aceeași valoare.
- 4 - Închideți încărcătorul de baterii.

(PL)

INSTRUCȚIA OBSLUGI



UWAGA: PRZED ROZPOCZĘCIEM EKSPLOATACJI PROSTOWNIKA DO ŁADOWANIA AKUMULATORÓW NALEŻY UWAGNIE PRZECZYTAĆ NINIEJSZĄ INSTRUCJĘ OBSLUGI!

1. OGÓLNE BEZPIECZEŃSTWO PODCZAS EKSPLOATACJI PROSTOWNIKA DO ŁADOWANIA AKUMULATORÓW



- Akumulatory podczas ładowania wydzielają gazy wybuchowe, należy unikać płomieni i iskier. NIE PALIĆ.
- Podczas ładowania ustawić akumulator w dobrze wietrzonej miejscy.



- **Przed użyciem urządzenia osoby niedoświadczone muszą zostać odpowiednio przeszkolone.**
- **Osoby dorosłe (włącznie z dziećmi), których zdolności fizyczne, czuciowe i umysłowe są niewystarczające dla prawidłowego obsługiwanego urządzenia muszą być nadzorowane przez osobę odpowiedzialną za ich bezpieczeństwo.**
- **Dopilnować, aby dzieci nie bawiły się urządzeniem.**
- Używać prostownika wyłącznie w dobrze wietrzonych pomieszczeniach: NIE UŻYWAĆ NA ZEWNĄTRZ PODCZAS PADAJĄCEGO DESZCZU LUB SNIEGU.
- Przed podłączeniem lub odłączeniem przewodów podczas ładowania akumulatora należy odłączyć przewód zasilający.
- Nie zakładać lub zdejmować klemy z akumulatora podczas funkcjonowania prostownika.
- Surowo zabronione jest używanie prostownika wewnątrz pojazdu lub pod pokrywą komory silnika.
- Uszkodzony przewód zasilania należy zastąpić wyłącznie przez oryginalny przewód.
- Nie używać prostownika do ładowania akumulatorów nie nadających się do ładowania.
- Sprawdzić, czy napięcie zasilania będące do dyspozycji, odpowiada napięciu podanemu na tabliczce znamionowej prostownika.
- Aby nie uszkodzić elektronicznych urządzeń pojazdów należy przeczytać, zachować i skrupulatnie stosować się do wskazań podanych przez producentów dotyczących używania prostownika. Przestrzegać zaleceń producenta pojazdów zarówno podczas ładowania jak i uruchomienia; należy również ściśle przestrzegać zaleceń producenta akumulatorów.
- Prostownik składa się z wyłączników lub przekaźników, które mogą powodować powstawanie łuków lub iskier; dlatego też jeżeli używany jest w warsztacie samochodowym lub w innym podobnym otoczeniu, należy przechowywać w odpowiednim miejscu lub nie wycierać z opakowania.

- Wszelkiego rodzaju naprawy lub konserwacje prostownika powinny być przeprowadzane wyłącznie przez personel przeszkolony.
- **UWAGA: PRZED WYKONANIEM JAKIEJKOLWIEK OPERACJI Z WYKŁĘJ KONSERWACJI PROSTOWNIKA NALEŻY ZAWSZE ODŁĄCZYĆ PRZEWÓD ZASILANIA, NIEBIEZPIECZNE!**

2. WPROWADZENIE I OGÓLNY OPIS

- Prostownik umożliwia ładowanie akumulatorów ołowiowych o swobodnym przepływie elektrolitu, przeznaczonych dla pojazdów mechanicznych (benzyna i diesel), motocykli, małych statków, itp.
- Akumulatory przeznaczone do ponownego ładowania w zależności od wartości napięcia wyjściowego będącego do dyspozycji: 6V / 3 ogniwa; 12V / 6 ogniw; 24V / 12 ogniw.
- Prąd ładowania dostarczany przez urządzenie maleje w zależności od krzywej charakterystycznej W i zgodnie z normą DIN 41774.

3. INSTALOWANIE USTAWIENIE PROSTOWNIKA

- Podczas ładowania należy ustawić prostownik na stabilnej powierzchni i upewnić się, że nie zostały zatkałe odpowiednie otwory umożliwiające wentylację.

PODŁĄCZENIE DO SIECI

- Prostownik należy podłączyć wyłącznie do sieci zasilania z uziemionym przewodem neutralnym. Sprawdzić, czy napięcie sieci i napięcie robocze są zgodne.
- Linia zasilania powinna być wyposażona w systemy zabezpieczenia, takie jak bezpieczniki lub wyłączniki automatyczne, wystarczające do znoszenia maksymalnej ilości energii absorbowanej przez urządzenie.
- Przewód zasilający należy podłączyć do gniazda sieciowego.
- Ewentualne przedłużenia przewodu zasilania należy wykonywać stosując przewód o odpowiednim przekroju, nie mniejszym od przekroju używanego przewodu zasilania.

4. DZIAŁANIE PRZYGOTOWANIE DO ŁADOWANIA

NB: Przed przystąpieniem do ładowania należy sprawdzić, czy pojemność akumulatorów (Ah), które należy ładować nie jest mniejsza od pojemności wskazanej na tabliczce (C min).

Postępować zgodnie z instrukcją, wykonując czynności ściśle według podanej niżej kolejności.

- Zdjąć pokrywę akumulatora (jeżeli obecna), aby ułatwić ulatnianie się gazów wydzielanych podczas ładowania.
- Sprawdzić, czy poziom elektrolitu zakrywa płytki akumulatorów; w przeciwnym razie należy dołączyć destylowanej wody aż do ich zalania na 5 - 10 mm.



UWAGA! ZACHOWAĆ SZCZEGÓLNA OSTROŻNOŚĆ PODCZAS TEJ OPERACJI PONIEWAŻ ELEKTROLIT JEST KWASEM BARDZO KOROZYJNYM.

- Po odłączeniu przewodu z sieci zasilania ustawić przełącznik ładowania na 6/12 V lub 12/24 V (jeżeli obecny) w zależności od napięcia znamionowego akumulatora.
- Sprawdzić biegunowość zacisków akumulatora: dodatni symbol + i ujemny symbol -.
- **UWAGA:** jeżeli symbole nie różnią się między sobą, przypomina się, że zacisk dodatni jest zaciskiem nie podłączonym do podwozia pojazdu.
- Podłączyć zacisk koloru czerwonego układu ładowania do zacisku dodatniego akumulatora (symbol +).
- Podłączyć zacisk koloru czarnego układu ładowania do podwozia pojazdu, w odpowiedniej odległości od akumulatora i przewodu paliwa.

UWAGA: jeżeli akumulator nie jest zainstalowany w pojeździe, podłączyć się bezpośrednio do zacisku ujemnego akumulatora (symbol -).

(CZ)

NÁVOD K POUŽITÍ



UPOZORNĚNÍ: PŘED POUŽITÍM NABÍJEČKY AKUMULÁTORŮ SI POZORNĚ PŘEČTĚTE NÁVOD K POUŽITÍ!

1. ZÁKLADNÍ BEZPEČNOSTNÍ POKYNY PRO POUŽITÍ TĚTO NABÍJEČKY AKUMULÁTORŮ



- Během nabíjení se z akumulátorů uvolňují výbušné plyny, a proto zabraňte vzniku plamenů a jisker. NEKURŤE.
- Umístěte nabíjený akumulator do větraného prostoru.



- Osoby, které nemají zkušenosti se zařízením, by měly být před jeho používáním vhodně vyškoleny.
- Osoby (včetně dětí), jejichž fyzické, senzorické nebo mentální schopnosti nejsou dostačující pro správné použití zařízení, musí být během jeho použití pod dozorem osoby zodpovědné za jejich bezpečnost.
- Děti musí být pod dozorem s cílem ujistit se, že si nebudou hrát se zařízením.
- Nabíječku akumulátorů používejte pouze uvnitř a ujistěte se, že ji používáte v dobře větraných prostorech: NEVYSTAVUJTE DEŠTI NEBO SNĚHU.
- Před zapojením nebo odpojením nabíjecích kabelů od akumulátoru odpojte napájecí kabel ze sítě.
- Nepřipojujte ani neodpojujte kleště k/od akumulátoru během činnosti nabíječky akumulátorů.
- V žádném případě nepoužívejte nabíječku akumulátorů uvnitř vozidla nebo v prostoru motoru.
- Napájecí kabel nahraďte pouze originálním kabelem.
- Nepoužívejte nabíječku akumulátorů pro nabíjení akumulátorů, které nelze nabíjet.
- Zkontrolujte, zda napájecí napětí, které je k dispozici, odpovídá napětí uvedenému na identifikačním štítku nabíječky akumulátorů.
- Abyste při použití nabíječky akumulátorů k nabíjení i ke startování nepoškodili elektroniku vozidel, pozorně si přečtěte, uschovejte a dodržujte upozornění dodaná výrobcem samotných vozidel; to samé platí i pro pokyny dodané výrobcem akumulátorů.
- Součástí této nabíječky akumulátorů jsou komponenty, jako např. vypínače nebo relé, které mohou vyvolat vznik oblouků nebo jiskry; proto při použití nabíječky akumulátorů v autodílně nebo v podobném prostředí uložte nabíječku do místnosti nebo do obalu vhodného k tomuto účelu.
- Zásahy do vnitřních částí nabíječky akumulátorů v rámci oprav nebo údržby může provádět pouze zkušený personál.
- **UPOZORNĚNÍ: POZOR, NEBEZPEČÍ! PŘED VYKONÁNÍM JAKÉKOLI OPERACE V RÁMCI JEDNODUCHÉ ÚDRŽBY NABÍJEČKY AKUMULÁTORŮ ODPOJTE NAPÁJECÍ KABEL ZE SÍTĚ!**

ŁADOWANIE

- Podłączyć prostownik do przewodu zasilania.
- Amperomierz (jeżeli podłączony) wskazuje prąd ładowania akumulatora (w Amperach): podczas tej fazy można będzie zaobserwować, że wartości wskazywane przez amperomierz powoli ulegają zmniejszeniu aż do uzyskania wartości bardzo niskich, w zależności od pojemności i warunków eksploatacji akumulatora.

RYS. A

UWAGA: Podczas ładowania akumulatora można także zauważyć zjawisko "wrzenia" płynu znajdującego się w akumulatorze. Zalecane jest przerwanie ładowania już na początku wrzenia celem uniknięcia uszkodzenia akumulatora.

UWAGA: AKUMULATORY HERMETYCZNE.

⚠ Jeżeli pojawi się konieczność doładowania tego typu akumulatora należy zachować szczególną ostrożność. Ładować akumulator powoli, sprawdzając napięcie na zaciskach. Kiedy napięcie to, łatwo odczytywane za pomocą zwykłego testera, osiągnie 14,4V dla akumulatorów 12 Voltowych (7,2 dla akumulatorów 6Voltowych i 28,8V dla akumulatorów 24Voltowych) zaleca się przerwanie ładowania.

KONIEC ŁADOWANIA

- Odłączyć zasilanie prostownika wyjmując wtyczkę przewodu z gniazda sieciowego.
- Rozłączyć zacisk koloru czarnego od podwozia samochodu lub od zacisku ujemnego akumulatora (symbol -).
- Rozłączyć zacisk koloru czerwonego od zacisku dodatniego akumulatora (symbol +).
- Przenieść prostownik w suche miejsce.
- Zamknąć komory akumulatora odpowiednimi zatyczkami (jeżeli obecne).

5. ZABEZPIECZENIA ŁADOWARKI (RYS. B)

Prostownik do ładowania akumulatorów wyposażony jest w zabezpieczenie, które zadziała w następujących przypadkach:

- Dodatkowe obciążenie (nadmierne wytwarzanie prądu dla akumulatora).
- Zwarcie (zaciski układu ładowania stykają się).
- Odwrócenie biegunowości na zaciskach akumulatora.
- W urządzeniach wyposażonych w bezpieczniki podczas wymiany należy stosować jednakowe bezpieczniki o tej samej wartości prądu znamionowego.

⚠ **UWAGA: Wymiana bezpiecznika o wartości prądu różnej od wartości podanej na tabliczce znamionowej może powodować uszkodzenia dla osób lub przedmiotów. Dlatego też nie należy wymieniać bezpieczników na mostki miedziane lub wykonane z innego materiału.**

Bezpiecznik należy wymienić zawsze po uprzednim ODŁĄCZENIU PRZEWODU zasilania z sieci.

Wymiana wewnętrznego bezpiecznika zabezpieczającego (RYS. C)

- 1 - Odłączyć przewód zasilania z sieci.
- 2 - Otworzyć prostownik do ładowania akumulatorów.
- 3 - Wymienić bezpiecznik na inny o tej samej wartości.
- 4 - Zamknąć prostownik.

2. ÚVOD A ZÁKLADNÍ POPIS

- Tato nabíječka akumulátorů umožňuje nabíjení olovených akumulátorů s volným elektrolytem, používaných v motorových vozidlech (benzínových i naftových), motocyklech, plavidlech, atd.

- Akumulátory, které lze nabíjet v závislosti na výstupním napětí, které je k dispozici: 6V / 3 články; 12V / 6 článků; 24V / 12 článků.
- Nabíjecí proud dodávaný zařízením klesá podle křivky W a v souladu s normou DIN 41774.

3. INSTALACE UMÍSTĚNÍ NABÍJEČKY AKUMULÁTORŮ

- Umístěte nabíječku akumulátoru tak, aby se během své činnosti nacházela ve stabilní poloze, a ujistěte se, že nic nebrání přístupu vzduchu příslušnými otvory, a že je tedy zaručena dostatečná ventilace.

PŘIPOJENÍ DO SÍTĚ

- Nabíječka akumulátorů musí být připojena výhradně k napájecímu systému s uzemněným nulovým vodičem. Zkontrolujte, zda napětí sítě odpovídá provoznímu napětí.
- Napájecí vedení bude muset být vybaveno ochrannými systémy, jako např. pojistkami nebo automatickými vypínači, schopnými snášet maximální proudovou zátěž zařízení.
- Připojení do sítě musí být provedeno použitím příslušného kabelu.
- Případné prodlužovací kabely napájecího kabelu musí mít vhodný průřez, který nesmí být v žádném případě menší než průřez dodaného kabelu.

4. ČINNOST PŘÍPRAVA K NABÍJENÍ

POZN.: Před přistoupením k nabíjení se přesvědčte, zda kapacita akumulátorů (Ah), které hodláte nabíjet není nižší než kapacita uvedena na identifikačním štítku (C min).

Vykonejte jednotlivé operace dle pokynů přísně dodržující nize uvedený postup.

- Odmontujte kryty akumulátorů (jsou-li součástí), aby se mohly uvolnit plyny vznikající při nabíjení.
- Zkontrolujte, zda hladina elektrolytu zakrývá mřížky emulátorů; v případě, že jsou odhaleny, dolijte destilovanou vodu tak, aby zůstaly ponořené 5-10 mm.

UPOZORNĚNÍ! VĚNUJTE TĚTO OPERACI MAXIMÁLNÍ POZORNOST, PROTOŽE ELEKTROLYT JE TVOŘEN VYSOCE KOROSIVNÍ KYSELINOU.

- Při nabíjecím kabelu odpojeném ze sítě přepněte přepínač nabíjení 6/12 V nebo 12/24 V (je-li součástí) podle jmenovitého napětí akumulátoru určeného pro nabíjení.
- Zkontrolujte polaritu svorek akumulátorů: Kladný pól označený symbolem + a záporný pól označený symbolem -.

- **POZNÁMKA:** Když se symboly neshodují, pamatujte, že kladný pól je ten, který není připojen k podvozku auta.
- Připojte nabíjecí kleště červené barvy ke kladnému pólu akumulátoru (symbol +).
- Připojte nabíjecí kleště černé barvy k podvozku auta, v dostatečné vzdálenosti od akumulátoru a od palivového rozvodu.

- **POZNÁMKA:** Když akumulátor není nainstalován v autě, vykonejte připojení přímo k zápornému pólu akumulátoru (symbol -).

NABÍJENÍ

- Zajistěte nabíjení nabíječky akumulátoru připojením nabíjecího kabelu do sítě.
- Ampérmetr (je-li součástí) ukazuje proud (v ampérech) nabití akumulátoru: Během této fáze bude možné pozorovat, že údaj na ampérmetru se pomalu zmenší až na velmi nízké hodnoty, v návaznosti na kapacitu a podmínky akumulátoru.

OBR. A

POZNÁMKA: Když je akumulátor nabitý, bude také možné pozorovat vznik „varu“ kapaliny nacházející se v akumulátoru. Doporučuje se přerušit nabíjení již při vzniku

tohoto jevu, aby se předešlo poškození akumulátoru.

UPOZORNĚNÍ: HERMETICKY UZAVŘENÉ AKUMULÁTORŮ.

V případě potřeby nabit tenhle druh akumulátoru, postupujte s maximální opatrností. Provedte pomalé nabíjení a mějte pod kontrolou napětí na svorkách akumulátoru. Když toto napětí, které je možné snadno změřit prostřednictvím běžného multimetru, dosáhne 14,4 V u 12-voltových akumulátorů (7,2 V u 6-voltových a 28,8 V u 24-voltových akumulátorů) doporučuje se nabíjení přerušit.


UKONČENÍ NABÍJENÍ

- Odpojte napájení nabíječky akumulátorů odpojením napájecího kabelu ze sítě.
- Odpojte nabíjecí kleště černé barvy od podvozku auta nebo ze záporného pólu akumulátoru (symbol -).
- Odpojte nabíjecí kleště červené barvy z kladného pólu akumulátoru (symbol +).
- Uložte nabíječku akumulátoru na suché místo.
- Zavřete články akumulátoru příslušnými uzávěry (jsou-li součástí).

5. OCHRANNÁ ZAŘÍZENÍ NABÍJEČKY AKUMULÁTORŮ (OBR. B)

Nabíječka akumulátorů je vybavena ochranou, která zasahuje v případě:

- Přetížení (nadměrný proud dodávaný do akumulátoru).
- Zkrat (nabíjecí kleště jsou vzájemně spojeny).
- Záměna polarity na svorkách akumulátoru.
- U zařízení vybavených pojistkami je v případě jejich výměny povinné použití obdobných pojistek se stejnou jmenovitou hodnotou proudu.

 **UPOZORNĚNÍ: Výměna pojistky za jinou s odlišnými hodnotami proudu než jsou hodnoty uvedené na identifikačním štítku by mohlo způsobit škody na zdraví a majetku. Ze stejného důvodu se bezpodmínečně vyhněte nahrazování pojistky měděnými přemosťovacími dráty nebo jiným materiálem.**

Operace výměny pojistky musí být po každé provedena s napájecím kabelem ODPOJENÝM ze sítě.

Výměna pojistky vnitřní ochrany (OBR. C)

- 1 - Odpojte napájecí kabel ze sítě.
- 2 - Otevřete nabíječku akumulátorů.
- 3 - Nahrďte pojistku za jinou, se stejnou jmenovitou hodnotou.
- 4 - Zavřete nabíječku akumulátorů.

NÁVOD NA POUŽITIE



UPOZORNENIE: PRED POUŽITÍM NABÍJAČKY AKUMULÁTOROV SI POZORNE PREČÍTAJTE NÁVOD NA POUŽITIE!

1. ZÁKLADNÉ BEZPEČNOSTNÉ POKYNY PRE POUŽITIE TEJTO NABÍJAČKY AKUMULÁTOROV



- Počas nabíjania sa z akumulátorov uvoľňujú výbušné plyny a preto zabráňte vzniku plameňov a iskier. NEFAJČITE.
- Umiestnite nabíjajúci akumulátor do vetraného priestoru.



- **Osoby, ktoré nemajú skúsenosti so zariadením, by mali byť pred jeho používaním vhodne vyškolené.**
- **Osoby (vrátane detí), ktorých fyzické, senzoriálne alebo mentálne schopnosti nie sú dostatočujúce pre správne použitie zariadenia, musia byť počas jeho použitia pod dozorom osoby zodpovednej za ich bezpečnosť.**
- **Dávajte pozor, aby sa deti so zariadením nehrali.**
- Nabíjačku akumulátorov používajte len v interiéri a uistite sa, že ju používate v dostatočne vetraných priestoroch: NEVYSTAVUJTE DAŽDU ALEBO SNĚHU.
- Pred zapojením alebo odpojením nabíjajúcich káblov od akumulátora odpojte napájací kábel zo siete.
- Nepripájajte ani neodpájajte kliešte ku/od akumulátora počas činnosti nabíjajúcej akumulátorov.
- V žiadnom prípade nepoužívajte nabíjačku akumulátorov vo vnútri vozidla alebo v priestore motora.
- Napájací kábel nahraďte iba originálnym káblom.
- Nepoužívajte nabíjačku akumulátorov pre nabíjanie nenabíjateľných akumulátorov.
- Skontrolujte, či napájacie napätie, ktoré je k dispozícii odpovedá napätiu uvedenému na identifikačnom štítku nabíjajúcej akumulátorov.
- Aby ste pri použití nabíjajúcej akumulátorov na nabíjanie aj na štartovanie nepoškodili elektroniku vozidiel, pozorne si prečítajte, uschovajte a dodržujte upozornenie dodané výrobcom samotných vozidiel; to isté aj pre pokyny dodané výrobcom akumulátorov.
- Súčasť tejto nabíjajúcej akumulátorov sú komponenty, ako napr. vypínače alebo relé, ktoré môžu vyvolať vznik oblúku alebo iskry; preto pri použití nabíjajúcej akumulátorov v autodielni alebo v podobnom prostredí, uložte nabíjačku do miestnosti alebo do obalu vhodného na tento účel.
- Zásahy do vnútorných častí nabíjajúcej akumulátorov v rámci opráv alebo údržby môže vykonať už len skúsený personál.
- **UPOZORNENIE: POZOR, NEBEZPEČENSTVO! PRED VYKONANÍM AKÉKOL'VEK OPERÁCIE V RÁMCI JEDNODUCHEJ ÚDRŽBY NABÍJAČKY AKUMULÁTOROV, ODPOJTE NAPÁJACÍ KÁBEL ZO SIETE!**

2. ÚVOD A ZÁKLADNÝ POPIS

- Táto nabíjačka akumulátorov umožňuje nabíjanie olovených akumulátorov s voľným elektrolytom používaných v motorových vozidlách (benzínových aj

naftových), motocykloch, plavidlách, atď.

- Akumulátory nabíjateľné v závislosti od výstupného napätia, ktoré je k dispozícii: 6V / 3 článkov; 12V / 6 článkov; 24V / 12 článkov.
- Nabíjací prúd dodávaný zariadením klesá podľa krivky W a v súlade s normou DIN 41774.

3. INŠTALÁCIA

UMIESTNENIE NABÍJAČKY AKUMULÁTOROV

- Umiestnite nabíjačku akumulátorov tak, aby sa v priebehu svojej činnosti nachádzala v stabilnej polohe a uistite sa, že nič nebráni prístupu vzduchu príslušnými otvormi a že je teda zaručená dostatočná ventilácia.

PRIPOJENIE DO SIETE

- Nabíjačka akumulátorov musí byť pripojená výhradne k napájaciemu systému s uzemneným nulovým vodičom. Skontrolujte, či napätie siete odpovedá prevádzkovému napätiu.
- Napájacie vedenie bude musieť byť vybavené ochrannými systémami, ako napr. poisťkami alebo automatickými vypínačmi, schopnými znášať maximálnu prúdovú záťaž zariadenia.
- Pripojenie do siete musí byť vykonané použitím príslušného kábla.
- Prípadné predžiovacie káble napájacieho kábla musia mať vhodný prierez, ktorý nesmie byť v žiadnom prípade menší než prierez dodaného kábla.

4. ČINNOSŤ

PRÍPRAVA NA NABÍJANIE

POZN.: Pred prístupím k nabíjaniu sa presvedčte, či kapacita akumulátora (Ah), ktoré chcete nabíjať nie je nižšia než kapacita uvedená na identifikačnom štítku (C min).

Vykonajte jednotlivé operácie podľa pokynov prísne dodržujúce nižšie uvedený postup.

- Odmontujte kryty akumulátorov (ak sú súčasťou), aby sa mohli uvoľniť plyny vznikajúce pri nabíjaní.
- Skontrolujte, či hladina elektrolytu zakrýva mriežky akumulátora; v prípade, že sú odhalené, dolejte destilovanú vodu tak, aby zostali ponorené 5-10 mm.



UPOZORNENIE! VENUJTE TEJTO OPERÁCII MAXIMÁLNU POZORNOSŤ, PRETOŽE ELEKTROLYT JE TVORENÝ VYSOKO KOROZÍVNOU KYSELINOU.

- Pri nabíjaníom káblu odpojenom zo siete prepnite prepínač nabíjania 6/12 V alebo 12/24 V (ak je súčasťou) podľa menovitého napätia akumulátora určeného pre nabíjanie.
- Skontrolujte polaritu zvierok akumulátorov: kladný pól označený symbolom + a záporný pól označený symbolom -.
- **POZNÁMKA:** keď sa symboly nezhodujú, pamätajte, že kladný pól je ten, ktorý nie je pripojený k podvozku auta.
- Pripojte nabíjacie kliešte červenej farby ku kladnému pólu akumulátora (symbol +).
- Pripojte nabíjacie kliešte čiernej farby k podvozku auta, v dostatočnej vzdialenosti od akumulátora a od palivového rozvodu.
- **POZNÁMKA:** keď akumulátor nie je nainštalovaný v aute, vykonajte pripojenie priamo k zápornému pólu akumulátora (symbol -).

NABÍJANIE

- Zabezpečte nabíjanie nabíjajúcej akumulátoru pripojením nabíjacieho kábla do siete.
- Ampérmeter (ak je súčasťou) ukazuje prúd (v ampéroch) nabíjania akumulátora: počas tejto fázy bude možné pozorovať, že údaj na ampérmetra sa pomaly znižuje až na veľmi nízke hodnoty, v návaznosti na kapacitu a podmienky akumulátora.

OBR. A

POZNÁMKA: Keď je akumulátor nabitý, bude taktiež možné pozorovať vznik „varu“ kvapaliny nachádzajúcej sa v akumulátore. Doporučuje sa prerušiť nabíjanie už pri vzniku

tohoto javu, aby sa predišlo poškodeniu akumulátora.

UPOZORNENIE: HERMETICKY UZAVRETÉ AKUMULÁTORY.

V prípade potreby nabitia takéhoto druhu akumulátora, postupujte s maximálnou opatnosťou. Vykonať pomalé nabíjanie a majte pod kontrolou napätie na svorkách akumulátora. Keď toto napätie, ktoré je možné ľahko odmerať prostredníctvom bežného multimetra, dosiahne 14,4 V pri 12-voltových akumulátorov (7,2 V pri 6-voltových a 28,8 V pri 24-voltových akumulátorov) doporučuje sa nabíjanie prerušiť.


UKONČENIE NABÍJANIA

- Odpojte napájanie nabíjačky akumulátorov odpojením napájacieho kábla zo siete.
- Odpojte nabíjacie kliešte čiernej farby od podvozku auta alebo zo záporného pólu akumulátora (symbol -).
- Odpojte nabíjacie kliešte červenej farby z kladného pólu akumulátora (symbol +).
- Uložte nabíjačku akumulátora na suché miesto.
- Zavrite články akumulátoru príslušnými uzávermi (ak sú súčasťou).

5. OCHRANNÉ ZARIADENIA NABÍJAČKY AKUMULÁTOROV (OBR. B)

Nabíjačka akumulátorov je vybavená ochranou, ktorá zasahuje v prípade:

- Preťaženia (nadmerný prúd dodávaný do akumulátora).
- Skrat (nabíjacie kliešte vzájomne spojené).
- Zámena polarity na svorkách akumulátora.
- Pri zariadeniach vybavených poistkami je v prípade ich výmeny povinné použitie obdobných poistiek s rovnakou menovitou hodnotou prúdu.

 **UPOZORNENIE:** Výmena poistky za inú s odlišnými hodnotami prúdu ako sú hodnoty uvedené na identifikačnom štítku by mohlo spôsobiť škody na zdraví a majetku. Z rovnakého dôvodu sa bezpodmienečne vyhnite nahradeniu poistky medenými premost'ovacimi drôťmi alebo iným materiálom.

Výmena poistky musí byť vždy vykonaná s napájacím káblom ODPOJENÝM zo siete.

Výmena poistky vnútornej ochrany (OBR. C)

- 1 - Odpojte napájací kábel zo siete.
- 2 - Otvorte nabíjačku akumulátorov
- 3 - Nahraďte poistku za inú, s rovnakou menovitou hodnotou.
- 4 - Zavrite nabíjačku akumulátorov.

(S I)

PRIROČNIK NAVODIL ZA UPORABO



POZOR: PRED UPORABO POLNILCA BATERIJ POZORNO PREBERITE PRIROČNIK NAVODIL ZAUPORABO!

1. SPLOŠNA VARNOST ZA UPORABO TEGA POLNILCA BATERIJ



- Med samim polnjenjem baterija oddaja eksplozivne pline, preprečite da ne pride do iskenjenja in plamena. **PREPOVEDANO KAJENJE.**
- Baterije, ki se polnijo, namestiti v zračen prostro



- **Neizkušeno osebe je treba pred uporabo naprave primerno poučiti.**
- **Osebe (vključno z otroki), katerih fizične, čutne ali umske sposobnosti ne zadoščajo za pravilno uporabo naprave, mora med njeno uporabo nadzorovati oseba, odgovorna za njihovo varnost.**
- **Otroke je treba nadzorovati, da bi zagotovili, da se z napravo ne bodo igrali.**
- Uporabljati polnilce baterij isključno v notranjosti in se poprej prepričati, da se delo izvaja v dobro zračenih prostorih: **NE IZPOSTAVLJATI DEŽJU ALI SNEGU.**
- Izključiti napojni kabel iz električnega omrežja preden priključite napojne kable baterije.
- Ne vezati ali odvezati ščipalke na baterijo z polnilcem baterije v delovanju.
- V nobenem primeru ne uporabljati polnilca baterij v notranjosti vozila in niti v prtljajniku avta.
- Napojni kabel zamenjati samo z originalnimi rezervnimi deli.
- Ne uporabljati polnilca baterij za polnjenje baterij ki se ne polnijo.
- Preveriti, da je napetost napajanja ustrezna označeni na tablici podatkov polnilca baterij.
- Za pravilno uporabo polnilca baterij upoštevajte navodila in opozorila, ki jih je oskrbel proizvajalec polnilca batterij, kakor tudi proizvajalec vozila. To pa zato, da nebi prišlo do poškodb elektronike vozila.
- Ta polnilec baterij zajema dele kot sta stiko in rele, katera lahko povzročita električno napetost most ali iskenjeje, zato ga je potrebno shraniti in namestiti v primernih prostorih ali zaščititi pred vžigom; še posebej, ko se uporablja v delavnici ali podobnih prostorih.
- Vzdrževalna in popravljajna dela v notranjosti polnilca baterij se lahko izvajajo samo s strani izvedenca; oseba, ki je poučeno za takšno delo.
- **POZOR: ZMERAJ POPREJ IZKLJUČITI NAPAVALNI KABEL IZ ELEKTRIČNEGA OMREŽJA, PREDEN SE IZVAJA KAKRŠEN KOLI VZDRŽEVALNI POSEG POLNILCA BATERIJ, NEVARNOST!**

2. UVOD IN SPLOŠNI OPIS

- Ta polnilec baterij polni baterije na svinec in proste elektrolite, ki se uporabljajo pri motornih vozilih (bencin, dizel), motorjih, plovilih, itd..
- Akumulatorji za polnjenje z naslednjimi razpoložljivimi napetostmi: 6V / 3 celic; 12V / 6 celic; 24V / 12 celic.
- Napojalni električni tok aparata pojenja po značajni

krivulji W in v skladu z normo DIN 41774.

3. INSTALACIJA

LOKACIJA POLNILCA BATERIJ

- V času delovanja polnilec namestiti na stabilno mesto in se hkrati prepričati, da ne preprečujete pretok zraka na odprtinah aparata, ki je potreben za zračenje slednjega.

VEZAVA NA ELEKTRIČNO OMREŽJE

- Polnilec baterij mora biti obvezno povezan na električno omrežje ki ima ozemljitev.
- Preveriti, da je napetost omrežja enakovredna napetosti delovanja.
- Napajalna linija mora biti opremljena z zaščitnim sistemom kot sta: avtomatična varovalka ali stikalo, ki sta sposobna prenesti maksimalno absorbcijo aparata.
- Povezava na električno omrežje mora biti izvedena z namenskim kablom.
- Podaljški napajalnega kabla morajo biti enaki, oziroma nikoli manjšega premera od originala.

4. DELOVANJE

PRIPRAVE ZA POLNJENJE

OPOZORILCO: Preden pričnete z polnjenjem preverite, da je zmogljivost baterije (Ah), ki bi jih želeli polniti ni nižja od navedene na tablici (C min).

Natančno izvesti navodila po naslednjem vrstnem redu:

- Odstranite zamaške na bateriji (če so prisotni), tako, da bo lahko uhajal plin, ki nastane ob delovanju polnilca.
- Preveriti, da je nivo elektrolita zadosten, da pokriva ploščice baterije; v primeru da so dkrite jih zaljete z destilirano vodo do prekritja v višini 5-10 mm.

⚠ POZOR! POSEBNO POZORNOST POSVETITE OB TEJ OPERACIJI, SAJ JE ELEKTORIT IZREDNO JEDKA KISLINA.

- Z izvečenim napajalnim kablom iz električnega omrežja nastavite smernik polnjenja na 6/12 V ali 12/24 V (če je prisoten) v funkciji nominalne napetosti baterije za polnjenje.
- Preveriti pozitivnost in negativnost pola ščipalk baterije: pozitiven znak + in negativen znak -.
- **BELEŽKA:** v primeru da se znaki ne razberejo, si zapomnimo da pozitivna ščipalka ni priključena na šasijo vozila.
- Vezati ščipalko rdeče barve na pozitiven primež baterije (znak +).
- Vezati ščipalko črne barve na šasijo vozila, daleč od baterije in od izpušnih cevi vozila.
- **BELEŽKA:** če baterija ni instalirana v vozilu, vezati se direktno na negativi primež baterije (znak -).

POLNJENJE

- Napajati polnilec baterij tako, da se priključite na električno omrežje z napajalnim kablom.
- Amperometer (če je prisoten) kaže električni tok (v Amperih), ki je potreben za polnjenje baterije; v tej fazi je potrebno opazovati, da amperometer kaže počasno nižanje indikatorja vse do zelo niskih vrednosti zmoglosti in stanja baterije.

SLIKA A

BELEŽKA: Ko je baterija izpraznjena, bomo lahko opazili začetek "embolože" prisotne tekočine v bateriji. Predlagamo prekinitev polnjenja že na samem začetju pojava tega fenomena, da preprečimo škodo na bateriji.

POZOR: HERMETIČNE BATERIJE.

⚠ V kolikor pride do potrebe, da se vrši polnjenje takšne baterije, bodite izredno pozorni. Izvajajte počasno polnjenje in sproti kontrolirajte napetost na ščipalkah baterije. Ko napetost, preprosto odmerjena z enostavnim testerjem, doseže 14,4V za baterije z 12V

(7,2 za baterije z 6V in 28,8V za baterije z 24V) predlagamo prekinitev polnjenja.

ZAKLJUČEK POLNJENJA

- Odstraniti napajalni kabel polnilca bateriji, tako, da ga izključimo iz električnega omrežja.
- Izključiti polnilne ščipalke črne barve od šasije vozila ali od negativnega primeža baterije (znak -).
- Izključiti polnilne ščipalke rdeče barve pozitivnega primeža baterije (znak +).
- Shraniti polnilec baterije na suh prostor.
- Pokriti odprtine baterije z namenskimi zamaški (če so prisotni).

5. ZAŠČITE POLNILNIKA AKUMULATORJEV (SLIKAB)

Polnilec baterije je opremljen z zaščito, ki se sproži v primerih:

- Prenapetost (prekomerna moč pretoka toka v smeri baterije).
- Kratak stik (napajalne ščipalke pridejo v stik).
- Napačna povezava električnih polov na primežnih baterije.
- Na aparatih z varovalkami je obvezno uporabljati samo rezervne dele, ki imajo enako nominalno vrednost toka.

⚠ POZOR: Zamenjati varovalke z nominalno vrednostjo drugačno, kot je označena na tablici, lahko povzroči škodo oseban in predmetom. Iz istiga razloga se izogibajte nadomestiti varovalke z mostovi iz bakra ali iz drugih materialov. Zamenjava varovalk mora biti zmeraj izpeljana tako, da je napajalni kabel IZKLIČEN iz električnega omrežja.

Zamenjava notranjih zaščitnih varovalk (SLIKA C)

- 1 - Izključiti napajalni kabel iz omrežja.
- 2 - Odprite polnilec baterij.
- 3 - Zamenjajte varovalko z drugo enake vrednosti.
- 4 - Zapreti polnilec baterij.

(HR/SCG)

PRIRUČNIK ZA UPOTREBU



POZOR: PRIJE UPOTREBE PUNJAČA ZA BATERIJE POTREBNO JE PAŽLJIVO PROČITATI PRIRUČNIK ZA UPOTREBU!

1. OPĆA SIGURNOST PRILIKOM UPOTREBE OVOG PUNJAČA ZA BATERIJE



- Tijekom punjenja baterije ispuštaju eksplozivne plinove, potrebno je izbjegavati stvaranje plamena i iskre. **ZABRANJENO JE PUŠENJE.**
- Potrebno je staviti baterije na punjenje u dobro prozračenom mjestu.



- Neiskusne osobe moraju dobiti prikladnu obuku prije upotrebe uređaja.
- Osobe (uključujući djeca) čije fizičke, senzorijske i mentalne sposobnosti nisu prikladne za ispravnu upotrebu uređaja, moraju biti pod nadzorom osobe

koja će se brinuti o njihovoj sigurnosti tijekom upotrebe uređaja.

- **Djeca moraju biti pod nadzorom kako bi se izbjeglo da se igraju uređajem.**
- Punjač baterija se mora koristiti isključivo u unutarnjim prostorijama i potrebno je provjeriti da su prostorije dobro prozračene: NE SMIJE SE IZLAGATI NA KIŠI ILI SNIJEGU.
- Isključiti kabel za napajanje iz priključka prije priključivanja ili isključivanja kablova za napajanje baterije.
- Ne smije se priključivati ili isključivati hvataljke na bateriju dok je punjač baterija uključen.
- Nikako se ne smije upotrebljavati punjač baterija unutar vozila ili haube.
- Kabel za napajanje je potrebno zamijeniti isključivo originalnim kablom.
- Ne smije se koristiti punjač za baterije sa punjenjem baterija koje se ne mogu ponovno puniti.
- Provjeriti da napon napajanja na raspolaganju odgovara naponu navedenom na pločici sa podacima na punjaču baterija.
- Kako bi se izbjeglo oštećenje elektronike vozila, potrebno je pažljivo pročitati, sačuvati i poštivati napomene koje navode proizvođači vozila, kada se upotrebljava punjač tijekom punjenja kao i prilikom pokretanja; isto vrijedi i za napomene koje navodi proizvođač baterija.
- Ovaj punjač baterija sadrži dijelove kao na primjer prekidače ili releje, koji mogu izazvati strujne krugove ili iskre; stoga ako se upotrebljava u garaži ili u sličnom ambijentu, odložiti punjač u prostoru ili kutiji koja je prikladna za tu svrhu.
- Popravke ili servisiranje unutarnjeg dijela punjača mogu vršiti isključivo stručne osobe.
- **POZOR: UVIJEK JE POTREBNO ISKLJUČITI KABEL ZA NAPAJANJE IZ MREŽE PRIJE POČIMANJA BILO KOJEG JEDNOSTAVNOG ZAHVATA SERVISIRANJA PUNJAČA, OPASNOST!**

2. UVOD I OPĆI OPIS

- Ovaj punjač omogućuje punjenje olovnih baterija sa slobodnim elektrolitom korištenih u motornim vozilima (benzin ili dizel), motociklima, čamcima, itd.
- Akumulatori koji se pune ovisno o prisutnom tlaznom naponu: 6V / 3 ćelije; 12V / 6 ćelije; 24V / 12 ćelije.
- Struja napajanja koju proizvodi uređaj smanjuje se po karakterističnoj krivulji W i u skladu sa odredbom DIN 41774.

3. POSTAVLJANJE POLAGANJE PUNJAČA BATERIJE

- Tijekom rada postaviti punjač u stabilan položaj i uvjeriti se da se ne krči prolaz zraka kroz prikladne otvore osiguravajući dovoljnu ventilaciju.

SPAJANJE NA MREŽU

- Punjač mora biti priključen isključivo sistemu napajanja sa neutralnim sprovodnikom sa uzemljenjem. Provjeriti da je napon mreže isti naponu rada.
- Linija napajanja mora imati zaštitne sisteme, kao na primjer osigurače ili automatske prekidače, dovoljne za izdržavanje maksimalne absorpcije uređaja.
- Spajanje na mrežu mora biti izvršeno putem prikladnog kabela.
- Eventualni proizvođači kabela napajanja moraju imati prikladnim presjekom, a u svakom slučaju nikada manjim od presjeka dostavljenog kabela.

4. RAD PRIPREMA ZA PUNJENJE

POZOR: Prije počimanja punjenja, provjeriti da je kapacitet baterija (Ah) koje se moraju puniti nije manji od kapaciteta navedenog na pločici (C min). Izvršiti navedene upute pažljivo prateći navedeni red.

- Ukloniti poklopce baterije (ako su prisutni), tako da plinovi koji se stvaraju prilikom punjenja mogu izlaziti.
- Provjeriti da razina elektrolita prekriva ploče baterije; ako su ploče otkrivene dodati destiliranu vodu dok se ne urone za 5-10 mm.



POZORI! POTREBNA JE MAKSIMALNA PAŽNJA TIJEKOM OVE RADNJE S OBZIROM DA JE ELEKTROLIT VRLO KOROZIVNA KISELINA.

- Sa kablom napajanja isključenim iz utičnice, postaviti odvodnik punjenja 6/12 V ili 12/24 V (ako je prisutan) ovisno o nominalnom naponu baterije koju se mora puniti.
- Provjeriti polaritet pritezača baterije: pozitivan simbol + i negativan simbol -.
- **NAPOMENA:** ako se simboli ne mogu razabrati, podsjeća se da je pozitivan pritezač onaj koji nije spojen na šasiju vozila.
- Spojiti crvenu hvataljku za napajanje na pozitivni pritezač baterije (simbol +).
- Spojiti crnu hvataljku za napajanje na šasiju vozila, daleko od baterije i cijevi za gorivo.
- **NAPOMENA:** ako baterija nije postavljena u vozilu, potrebno je direktno se spojiti na negativni pritezač baterije (simbol -).

PUNJENJE

- Punjač se napaja priključkom kabla za napajanja na mrežu.
- Amperometar (ako je prisutan) označuje struju (u Amperima) punjenja baterije: tijekom ove faze može se primjetiti da se vrijednost na amperometru smanjuje lagano do vrlo niskih vrijednosti ovisno o sposobnosti i uvjeta baterije.

FIG. A

NAPOMENA: Kada je baterija napunjena može se primjetiti početak "vrenja" tekućine unutar baterije. Savjetuje se da se prekine punjenje već na samom početku tog fenomena kako bi se izbjegla oštećenja na bateriji.

POZOR: HERMETIČKE BATERIJE.



U slučaju potrebe punjenja takve vrste baterije, potrebna je izrazita pažnja. Izvršiti sporo punjenje provjeravajući napon pritezača baterije. Kada napon, koji se jednostavno može mjeriti običnim testerom, dostigne 14,4V za baterije od 12V (7,2 za baterije od 6V i 28,8V za baterije od 24V) savjetuje se prekidanje punjenja.

KRAJ PUNJENJA

- Prekinuti napon punjača, isključujući kabel iz utičnice.
- Isključiti crnu hvataljku za punjenje sa šasije vozila ili sa negativnog pritezača baterije (simbol -).
- Isključiti crvenu hvataljku za napajanje sa pozitivnog pritezača baterije (simbol +).
- Odložiti punjač baterija na suho mjesto.
- Začepiti ćelije baterije sa prikladnim čepovima (ako su prisutni).

5. ZAŠTITE PUNJAČA BATERIJE (FIG. B)

Punjač baterija ima zaštitu koja se uključuje u slučaju:

- Preopterećenja (prekomjerni protok struje prema bateriji).
- Kratkog spoja (hvataljke za napajanje dolaze u međusobni dodir).
- Inverzija polariteta na pritezačima baterije.
- Kod uređaja sa osiguračima, u slučaju zamjene obavezno je upotrebljavati slične rezervne dijelove sa istom nominalnom vrijednošću struje.



POZOR: Zamijeniti osigurač sa vrijednostima struje različitim od onih navedenih na pločici, moglo bi prouzrokovati oštećenja kod osoba ili stvari. Zbog istog je razloga potrebno pažljivo izbjegavati zamjenu osigurača sa mostovima od bakra ili drugog materijala.

Zamjena osigurača mora uvijek biti izvršena sa ISKLJUČENIM kablom za napajanje iz struje.

Zamjena unutarnjeg zaštitnog osigurača (FIG. C)

- 1 - Isključiti kabel za napajanje iz mreže.
- 2 - Otvoriti punjač baterija.
- 3 - Zamjeniti osigurač sa drugim osiguračem sa istom vrijednošću.
- 4 - Zatvoriti punjač baterija.

(LT)

INSTRUKCIJŲ KNYGELĖ



DĖMESIO! PRIEŠ NAUDOJANT BATERIJŲ ĮKROVIKLĮ ATIDŽIAI PERSKAITYTI INSTRUKCIJŲ KNYGELĖ!

1. BENDRI SAUGUMO REIKALAVIMAI ŠIO BATERIJŲ ĮKROVIKLIO NAUDOJIMUI



- Įkrovimo metu baterijos išskiria sprogstančias dujas, vengti liepsnos ar kibirkščių susidarymo. NERŪKYTI.
- Įkrovinėti baterijas gerai vėdinamoje vietoje.



- Patyrimo neturintys asmenys, prieš naudodami prietaisą, turi būti tinkamai apmokyti.
- Asmenys (įskaitant ir vaikus), kurių fiziniai, juntamieji, protiniai sugebėjimai yra nepakankami šio prietaiso taisyklingai eksploatacijai, jo naudojimo metu turėtų būti prižiūrimi asmenys, atsakingo už šių asmenų saugumą.
- Vaikai turi būti nuolat stebimi, būtina užtikrinti, kad jie nežaistų su šiuo prietaisu.
- Naudoti baterijų įkroviklį tik uždarose patalpose ir įsitikinti, kad jos yra gerai vėdinamos: NENAUDOTI PRIETAISO LYJANT AR SNIGANT.
- Prieš sujungiant ar atjungiant įkrovimo laidus nuo baterijų, atjungti maitinimo laidą iš tinklo.
- Neįjungti gnybtų prie baterijos, baterijų įkrovimo metu.
- Jokiais būdais nenaudoti baterijų įkroviklio automobilio ar kapoto viduje.
- Pakeisti maitinimo laidą tik originaliu laidu.
- Nenaudoti baterijų įkroviklio neįkraunamoms baterijoms.
- Patikrinti, ar disponuojama maitinimo įtampa atitinka įtampą, nurodytą baterijų įkroviklio duomenų lentelėje.
- Kad nebūtų pažeista autobobilio elektronika, perskaityti, išsaugoti ir be išlygų laikytis automobilio gamintojų nurodymų, tiek baterijų įkrovimo metu, tiek jo pradžioje ar baterijoms pasikrovus; visa tai galioja ir baterijų įkroviklio gamintojų nurodymams.
- Šis baterijų įkroviklis yra sudarytas iš dalių, tokių kaip jungikliai arba relės, galinčių uždegti elektros lankus arba įžiebtį žiežirbas; todėl, jei yra naudojami techninėse dirbtuvėse ar panašioje aplinkoje, baterijų įkroviklis turi būti laikomas tam tikslui pritaikytoje patalpoje ar saugykloje.
- Bet kokia priežiūra ar taisymas, vykdomi baterijų įkroviklio viduje, turi būti atliekami tik specializuoto personalo.
- **DĖMESIO: VISADA IŠTRAUKTI MAITINIMO LAIDĄ IŠ TINKLO PRIEŠ VYKDANT BET KOKIUS, KAD IR PAPRASCIAUSIUS, BATERIJŲ ĮKROVIKLIO PRIEŽIŪROS DARBUS, PAVOJINGAI!**

2. ĮVADAS IR BENDRAS APRAŠYMAS

- Šis baterijų įkroviklis įkrauna švino baterijas su laisvaisiais elektrolitais, naudojamiems motorinėse transporto priemonėse (varomose benzinu ir dizelinu kūru), motocikluose, motorinėse valtyse, ir t.t.
- Pakartotinai įkraunami akumuliatoriai priklausomai nuo disponuojamos išėjimo įtampos: 6V / 3 elementų; 12V / 6 elementų; 24V / 12 elementų.
- Prietaiso tiekiami įkrovimo srovė, mažėja pagal tipišką kreivę W ir pagal DIN 41774 normatyvą.

3. INSTALIAVIMAS

BATERIJŲ ĮKROVIKLIO PADĖTIS

- Darbo metu baterijų įkroviklis turi būti stabilioje padėtyje, aiškinti, kad nėra trukdoma patekti orui pro specialias ertmes ir yra užtikrinta pakankama ventiliacija.

PRIJUNGIMAS PRIE TINKLO

- Baterijų įkroviklis turi būti jungiamas tik prie maitinimo sistemos su neutraliu įžemintu laidininku. Patikrinti, ar tinklo įtampa atitinka darbui reikalingą įtampą.
- Maitinimo linija turėtų būti pritaikyta prie apsaugos įrenginių, tokių kaip lydieji saugikliai arba automatiniai pertraukikliai, kurių pakaktų maksimaliam įrenginio panaudojimui.
- Prijungimas prie tinklo turi būti atliekamas naudojant specialų laidą.
- Galimi maitinimo laido prailginimai turi būti atitinkamo skersmens, ir ne mažesnio kaip originalaus laido.

4. DARBAS

PASIRUOŠIMAS ĮKROVIMUI

ASIDĖMĖKITE: Pried vykdant ākrovimā, patikrinti kad norimū įkrauti baterijū pajėgumas (Ah) yra ne mažesnis, nei pajėgumas, nurodytas duomenū lentelėje (C min).

Laikytis besąlygiškai šios knygelės nurodymų, sekant jų eiliškumą.

- Nuimti baterijų dangtelius (jei jie yra), tam, kad baterijų įkrovimo metu susidarančios dujos galėtų išeiti.
- Patikrinti, ar elektrolito lygis, dengia baterijų plokštes; jei jos yra nepakankamai padengtos, įpilti distiliuoto vandens iki tiek, kad jos būtų panardintos 5 - 10 mm.



DĖMESIO! ŠIOS OPERACIJOS METU BŪTINAS YPATINGAS ATSARGUMAS, NES ELEKTROLITAS YRA LABAI KOROZINĖ RŪGŠTIS.

- Esant išjungtam maitinimo tinklo laidui, nustatyti įkrovos perjungiklį 6/12 V arba 12/24 V (jei jis yra) priklausomai nuo norimos pakrauti baterijos vardinės įtampos.
- Patikrinti baterijos gnybtų poliškumą; teigiamas simbolis + ir neigiamas simbolis -.
- PASTABA: jei simbolių neįmanoma atpažinti, prisiminti, kad teigiamas gnybtas yra tas, kuris neįjungiamas prie automobilio karkaso.
- Sujungti raudonos spalvos įkrovimo gnybtą su teigiamu baterijos gnybtu (simbolis +).
- Sujungti juodos spalvos įkrovimo gnybtą su automobilio karkasu, toliau nuo baterijos ir nuo degalų kanalo.
- PASTABA: jei baterija nėra instaliuota automobilyje, jungti tiesiogiai prie baterijos neigiamo gnybto (simbolis -).


ĀKROVIMAS

- Įjungti baterijų įkroviklio maitinimo laidą į maitinimo tinklo lizdą.
- Amperometras (jei jis yra) parodo baterijos įkrovimo srovę (amperais): šios fazės metu pastebima, kad amperometro parodymai iš lėto sumažėja iki labai žemų reikšmių, priklausomai nuo baterijos pajėgumo ir būklės.

PAV. A

PASTABA: Kai baterija yra įkrauta gali būti pastebimas baterijose esančio skysčio "užvirimo" reiškinys. Patariama jau pačioje šio reiškinio pradžioje nutraukti įkrovimą, tam kad būtų išvengta baterijos sugadinimo.

DĒMESIO: HERMETIŠKOS BATERIJOS.

 Jei yra būtinybė vykdyti šios rūšies baterijų įkrovimą, atkreipti ypatingą dėmesį. Vykdyti lėtą įkrovimą kontroliuojant baterijos gnybtų įtampą. Kai ši įtampa, lengvai nustatama paprastu testeriu, pasiekia 14,4V - 12V baterijose (7,2 - 6V baterijose ir 28,8V - 24V baterijose) patariama nutraukti įkrovimą.


ĮKROVIMO PABAIGA

- Išjungti baterijų įkroviklio maitinimą atjungiant maitinimo laidą iš tinklo lizdo.
- Atjungti juodos spalvos įkrovimo gnybtą nuo automobilio karkaso arba nuo neigiamo baterijos gnybto (simbolis -).
- Atjungti raudonos spalvos įkrovimo gnybtą nuo teigiamo baterijos gnybto (simbolis +).
- Perkelti baterijų įkroviklį į sausą vietą.
- Uždengti baterijos angas specialiais dangteliais (jei jie yra).

5. AKUMULIATORIAUS ĮKROVIKLIO APSAUGOS ĮTAISAI (PAV. B)

Baterijų įkroviklyje yra numatyti apsaugos įrenginiai, kurie išjungia:

- Perkrovimo atveju (baterijai tiekama per didelė srovė).
- Trumpo sujungimo atveju (įkrovimo gnybtai kontaktuoja vienas su kitu).
- Baterijos gnybtų poliškumų inversijos atveju.
- Įtaisuose su lydziaisais saugikliais jų pakeitimo atveju yra privaloma naudoti analogiškus lydziuosius saugiklius su tomis pačiomis vardinės srovės vertėmis.

 **DĒMESIO: Pakeisti lydujį saugiklį, jei jo srovės dydis kitoks, nei nurodytas duomenų lentelėje, priešingu atveju kils rizika patirti nuostolių materialinėms gėrybėms ir pavojaus žmonėms. Dėl tos pačios priežasties, absoliučiai vengti naudoti pakeitimui lydziuosius saugiklius su variniais ar kitų medžiagų tielteliais.**

Lydziųjų saugiklių pakeitimo operacijos turi būti visada atliekamos, kai maitinimo laidas yra ATJUNGTAS nuo tinklo.

Lydziojo saugiklio vidinei apsaugai pakeitimas (PAV. C)

- 1 - Atjungti maitinimo laidą nuo tinklo.
- 2 - Atidaryti baterijų įkroviklį.
- 3 - Pakeisti lydujį saugiklį kitu, su tomis pačiomis srovės vertėmis.
- 4 - Uždaryti baterijų įkroviklį.

(EE)

KASUTUSJUHEND



TÄHELEPANU: ENNE AKULAADIJA KASUTAMIST LUGEGE HOOLEGA LÄBI KASUTUSJUHEND!

1.ÜLDISED HOIATUSED AKULAADIJA KASUTAMISEKS



- Laadimise ajal akud eraldavad plahvatusohtlike gaase, vältige leekide ja sädemete teket. ÄRGE SUITSETAGE.
- Asetage laetavad akud hästi ventileeritud ruumi.



- Vastavate kogemust mitteomavaid isikuid tuleb enne seadme kasutamist selle suhtes instrueerida.
- Isikud (s.h. lapsed), kellele füüsilised ja vaimsed võimed ning meeled on piiratud, tohivad seadet kasutada ainult nende turvalisuse eest vastutava isiku järelevalve all.
- Lapsi ei tohi jätta järelevalveta, tagamaks, et nad seadmega ei mängiks.
- Kasutage akulaadijat ainult siseruumides ja kindlustage, et töotate hästi ventileeritud keskkonnas: ÄRGE JÄTKE LUME VÕI VIHMA KÄTTE.
- Enne aku laadimiskaablite ühendamist või lahutamist, eemaldage voolujuhe vooluvõrgust.
- Ärge ühendage ega lahutage klemme akuga akulaadija töötamise ajal.
- Ärge kasutage mitte mingil juhul akulaadijat autokabiinis või -kapis.
- Vahetage voolujuhe välja ainult originaaljuhtmega.
- Ärge kasutage akulaadijat mitte laaditavate akude laadimiseks.
- Kontrollige, et kätutuses olev voolupinge vastab akulaadija andmeplaadil näidatud andmetele.
- Et vältida sõidukite elektroonika kahjustamist laetud või laadimise all oleva aku kasutamise ajal, lugege, säilitage ja järgige hoolega sõidukite tootja poolt ettenähtud hoiatusi. Sama kehtib ka akutootjate poolt ettenähtud hoiatustega.
- Akulaadija sisaldab osasid, nagu lülitiid või relee, mis võivad esile kutsuda pritsmeid või sädemeid. Juhul, kui kasutate seadet garaazhis või sarnases keskkonnas, seadke akulaadija eesmärgiks sobivasse ruumi või kaitsesse.
- Akulaadija sisemuses tohib teostada parandus ja hooldus töid ainult vastava kvalifikatsiooniga personal.
- **TÄHELEPANU: ENNE AKULAADIJA MISTAHES VIISIL HOOLDAMIST LAHUTAGE SEE TOITEALLIKAST. OHT!**

2. SISSEJUHATUS JA ÜLDINE KIRJELDUS

- See akulaadija võimaldab laadida vabade elektrolüütidega tinaakusid, mida kasutavad mootorsõidukid (bensiin või diisel), mootorrattad, laevad jne.
- Akud laetavad vastavalt olemasolevale väljundpingele: 6V / 3-cell; 12V / 6-cell; 24V / 12-cell.
- Seadme poolt varustatud laeng väheneb järgides W-kõverjoont, mis on kooskõlas normatiiviga DIN 41774.

3. MONTAAŽ AKULAADIJAASUKOHT

- Et tagada korrektne laadimine paigaldage akulaadija stabiilselt ja kindlustage, et küllaldane õhuvahetus on garanteeritud vastavate avade kaudu.

ÜHENDUS VOOLUVÕRKU

- Akulaadija peab olema ühendatud ainult toitesüsteemiga, mis omab maaga ühendatud neutraaljuhet.
- Kontrollige, et voolupinge vastab rakendatavale pingele.
- Vooluvõrk peab olema varustatud kaitsesüsteemiga, nagu nt. kaitsekoridid või automaatne voolukatkestaja, küllaldased kandma maksimaalpinget.
- Ühendades seade vooluvõrku, kasutage ainult selleks ettenähtud kaablit.
- Võimalik pikendusjuhe peab omama vastavat ühendussektiooni ja ei tohi olla väiksem voolukaablist.

4. KEEVITAMINE ETTEVALMISTAMINE LAADIMISEKS

NB: Enne laadimise alustamist kontrollige, et laaditavate akude võimsus (Ah) ei ole madalam sellest, mis on näidatud andmeplaadil (C min).

Järgige hoolikalt alltoodud kasutusjuhendite

järjekorda.

- Eemaldage võimalikud akupaneelid (kui kasutusel) nii, et laadimise ajal kogunenud gaasid võivad välja voolata.
- Kontrollige, et elektrolüüdi tase katab akuplaadid. Kui plaadid peaksid olema kuivad, katke need destilleeritud veega kuni 5-10mm-ni.



TÄHELEPANU! OLGE VÄGA ETTEVAATLIKUD SEDA TOIMINGUT TEHES KUNA ELEKTROLÜÜT ON ÄÄRMISELT KORRUDEERUV HAPE.

- Kontrollige, et voolukaabel ei ole ühendatud pistikuga ja asetage pingesuundaja 6/12 V või 12/24 V (kui kasutusel) positsiooni vastavalt laaditava aku nimipingele.
- Kontrollige akuklambrite polaarsust: positiivse polaarsuse sümbol on + ja negatiivse polaarsuse sümbol on -.
- MÄRGE: juhul, kui polaarsuse sümbolid ei ole nähtavad, tuletame meelde, et positiivne klamber on see, mis ei ole ühendatud autokerega.
- Ühendage punane pingeklemm positiivse akuklambriga (sümbol +).
- Ühendage must pingeklemm autokerega, kaugemale akust ja mootorikütuse torujuhtmist.
- MÄRGE: kui aku ei ole monteeritud autole, ühendage otse aku negatiivse klambri (sümbol -).

LAADIMINE

- Alustage laadimine ühendades voolujuhe vooluvõrguga.
- Ampermeeter (kui kasutusel) näitab aku voolupinget (amprites): selle toimingu jooksul märkate, et Ampermeetri osuti langeb aeglaselt kuni väga madala tasemeni olenevalt aku võimsusest ja iseloomust.

PILT. A

MÄRGE: Kui aku on laetud on võimalik märgata aku sees oleva vedeliku n. ö. „keemist“. Soovitame katkestada laadimine juba enne „keemise“ algust, et vältida aku kahjustamist.

TÄHELEPANU: HERMEETILISED AKUD



Juhul kui on vajalik laadimine seda tüüpi akuga olge väga ettevaatlikud. Laadige aeglaselt hoides kontrolli all akuklambrite pinge. Kui see pinge, mis on lihtsalt kontrollitav tavalise trestiga, 12V aku korral tõuseb kuni 14,4 V-ni (6V aku korral tõuseb 7,2V-ni ja 24V aku korral tõuseb 28,8V-ni) soovime katkestada laadimine.

LAADIMISE LÕPETAMINE

- Eemaldage voolu juurdepääs akulaadijale ühendades voolujuhe vooluallikast lahti.
- Ühendage lahti must klemm autokerele või aku negatiivsest klambrist (sümbol -).
- Ühendage lahti punane pingeklemm aku positiivsest klambrist (sümbol +).
- Asetage akulaadija tagasi kuiva keskkonda.
- Sulgege aku kambrid vastavate kaantega (kui kasutusel).

5. AKULAADIJA KAITSED (PILT. B)

Akulaadija on varustatud kaitsega, mis rakendub järgnevale olukordade tagajärjel:

- Ülelaadimine (liigne voolu jaotus akule).
- Lühiühendus (klambrid puutuvad kokku omavahel).
- Akuklambrite poolsuste ümbervahetus.
- Kaitsekorkide väljavahetamise korral on kohustuslik kasutada analoogne nimipingeväärtusega varuosi.



TÄHELEPANU: Vahetades välja kaitsekorgid uute vastu, mis ei ole kooskõlas andmeplaadil näidatud väärtusega, võib põhjustada kahju isikutele ja esemetele. Samal põhjusel ärge asendage mitte mingil juhul kaitsekorgid vask- või teistest materjalidest sildadega.

Kaitsekorkide vahetamisel kontrollige alati, et voolujuhe on ühendatud vooluvõrkust LAHTI.

Kaitsekorkide vahetamine aku sisemuses (PILT. C)

- 1 - Ühendage voolujuhe vooluvõrkust lahti.
- 2 - Avage akulaadija.
- 3 - Vahetage kaitsekorgid sama väärtusega korkide vastu.
- 4 - Sulgege akulaadija.

(LV)

ROKASGRĀMATA



UZMANĪBU: PIRMS AKUMULATORU LĀDĒTĀJU LIETOŠANAS UZMANĪGI IZLASIET ROKASGRĀMATU!

1. VISPĀRĒJIE DROŠĪBAS NOTEIKUMI AKUMULATORU LĀDĒTĀJU LIETOŠANAS LAIKĀ



- Uzlādēšanas laikā akumulatori izlaiž sprādziennedrošas gāzes, novērsiet liesmas un dzirksteļu veidošanos. NĒSMĒKĒT.
- Novietojiet lādējamus akumulatorus vedināmā vietā.



- Pirms ierīces lietošanas nepietiekoši kvalificētām personām jāiziet instruktāža.
- Personas (tai skaitā bērni), kuru fiziskās, jutekliskās vai garīgās spējas nav pietiekošas, lai varētu pareizi lietot ierīci, ir jāuzrauga personai, kas būs atbildīga par drošību ierīces lietošanas laikā.
- Bērni ir jāpieskata, lai pārliecinātos, vai viņi nespējās ar ierīci.
- Lietojiet akumulatoru lādētāju tikai iekšstelpās un pārbaudiet, vai tās ir labi vedināmas. NETURIĒT ZEM LIETUS VAI SNIEGA.
- Pirms akumulatora lādētāja vadu pieslēgšanas vai atslēgšanas no akumulatora atslēdziet barošanas vadu no tīkla.
- Akumulatoru lādētāja darbības laikā nesavienojiet spaiļes ar akumulatoru un neatvienojiet tās.
- Nekādā gadījumā nelietojiet akumulatoru lādētāju automobiļa vai pārsega iekšā.
- Nomainiet barošanas vadu tikai pret oriģinālo vadu.
- Nelietojiet akumulatoru lādētāju, lai uzlādētu baterijas, kuras nav paredzētas atkārtotai uzlādēšanai.
- Pārbaudiet, vai esošais barošanas spriegums atbilst akumulatoru lādētāja tehniskajā apliecībā norādītajam spriegumam.
- Lai nesabojātu automobiļa elektronisko aprīkojumu, gadījumos, kad jūs izmantojat akumulatoru lādētāju gan uzlādēšanai, gan palaišanai, rūpīgi izlasiet, saglabājiet un stingri ievērojiet automobiļu un akumulatoru ražotāju brīdinājumus.
- Dažās šī akumulatora lādētāja daļās, piemēram, pārslēgi vai releji, var veidot elektriskos lokus vai dzirkstes, tāpēc ja ierīci izmanto autodarbnīcā vai līdzīgā vietā, akumulatoru lādētājs ir jānovieto tās izmantošanas mērķim atbilstošajā vietā vai attiecīgajā futrālī.
- Akumulatoru lādētāja iekšpusē remontu vai tehnisko apkopi drīkst veikt tikai pieredzējušais personāls.
- UZMANĪBU: PIRMS JEBKURAS AKUMULATORU

LĀDĒTĀJA VIENKĀRŠAS TEHNISKAS APKOPES OPERĀCIJAS VEIKŠANAS OBLIGĀTI IZSLĒDZIET BAROŠANAS VADU NO TĪKLA!

2. IEVADS UN VISPĀRĪGS APRAKSTS

- Šis akumulatoru lādētājs ir paredzēts svina bateriju ar brīvu elektrolītu uzlādēšanai, kuras izmanto automobiļos ar iekšdedzes dzinējiem (benzīna un dīzeļa), kā arī motociklos, motorkuģos utt.
- Akumulatoru un to izejas spriegums: 6V / 3 elementi; 12V / 6 elementi; 24V / 12 elementi.
- Aparāta emitēta strāva samazinās atbilstoši W raksturīfīknei un atbilst normai DIN 41774.

3. UZSTĀDĪŠANA

AKUMULATORU LĀDĒTĀJA NOVĒTOŠANA

- Akumulatora lādētāja darbošanās laikā novietojiet to stabilā stāvoklī un pārbaudiet, vai nav aizsprostoti atbilstošie gaisa padeves caurumi, lai nodrošinātu pietekošu ventilāciju.

PIESLĒGŠANA PIE TĪKLA

- Akumulatoru lādētājs ir jāsavieno ar barošanas sistēmu, kurai neitrālais vads ir iezemēts. Pārbaudiet, vai spriegums tīklā ir vienāds ar darba spriegumu.
- Barošanas līnijai jābūt aprīkotai ar aizsardzības ierīcēm, piemēram, drošinātājiem vai automātiskiem izslēdzējiem, kuri spēj izturēt aparāta maksimālo enerģijas patēriņu.
- Savienojums ar tīklu ir jāveic ar atbilstoša vada palīdzību.
- Barošanas vada pagarinātājiem ir jābūt ar atbilstošu griezuma lielumu, kas nedrīkst būt mazāks par piegādātā vada griezumu.

4. DARBĪBA

SAGATAVOŠANA UZLĀDĒŠANAI

NB: Pirms uzlādēšanas veikšanas pārbaudiet, vai akumulatoru tilpums (Ah), kuru jūs vēlaties uzlādēt, nav mazāks par tehniskajā pasē norādīto (C min).

Veiciet operācijas, stingri ievērojot zemāk norādīto secību.

- Noņemiet akumulatora vāciņus (ja tādi ir), lai ļautu izplūst gāzei, kas veidojas uzlādēšanas laikā.
- Pārbaudiet, vai elektrolīta līmenis ir pietiekošs, lai pārklātu akumulatora plāksnes; ja plāksnes nav pārklātas, pielejiet destilēto ūdeni, lai pārklātu tās pār 5-10 mm.



UZMANĪBU! ŠIS PROCEDŪRAS VEIKŠANAS LAIKĀ IR JĀBŪT ĀRKĀRTĪGI PIESARDZĪGAM, JO ELEKTROLĪTS TĀ IR SKĀBE AR ĻOTI AUGSTU KOROZIJAS IEDARBĪBU.

- Kamēr barošanas vads ir atslēgts no tīkla rozetes uzstādiēt uzlādēšanas deviatoru uz 6/12 V vai 12/24 V (ja ir) atkarībā no uzlādējamā akumulatora nomināla sprieguma.

- Pārbaudiet akumulatora spaiļu polaritāti: pozitīvā ir apzīmēta ar simbolu + un negatīvā ar simbolu -.

PIEZĪME: ja simboli nav redzami, atcerieties, ka pozitīvā spaiļē ir tā, kura nav savienota ar mašīnas korpusu.

- Savienojiet sarkanu lādēšanas spaiļi ar akumulatora pozitīvo pieslēgu (simbols +).
- Savienojiet melnu lādēšanas spaiļi ar mašīnas korpusu, tālu no akumulatora un degvielas cauruļvada.

PIEZĪME: ja akumulators nav uzstādīts mašīnā, tad savienojiet to tieši ar akumulatora negatīvo pieslēgu (simbols -).

UZLĀDĒŠANA

- Pieslēdziet akumulatoru lādētāju barošanas tīklam iespraužot barošanas vadu tīkla rozetē.
- Ampērmetrs (ja ir) norāda akumulatora uzlādēšanas strāvu (Ampēros): šī posma laikā ampērmetra rādījumi

pakāpeniski samazināsies līdz ļoti zemām vērtībām, atkarībā no akumulatora tilpuma un stāvokļa.

ZĪM. A

PIEZĪME: Kad akumulators ir uzlādēts varēs novērot akumulatorā esošā šķidruma viršanas sākumu. Tiek rekomendēts pārtraukt uzlādi jau šī fenomena rašanās sākumā, lai novērstu akumulatora bojāšanu.

UZMANĪBU: HERMĒTISKIE AKUMULATORI.



Ja ir jāuzlādē šī tipa akumulators jābūt maksimāli uzmanīgam. Uzlādēšana ir jāveic lēni, sekojot līdzi spriegumam akumulatora pieslēgos. Kad šis spriegums, kuru var viegli izmērīt ar parasta voltmetra palīdzību, sasniedz 14,4V akumulatoriem ar nominālo spriegumu 12V (7,2 akumulatoriem ar nominālo spriegumu 6V un 28,8 akumulatoriem ar nominālo spriegumu 24V), uzlādēšanas procesu tiek rekomendēts pārtraukt.

UZLĀDĒŠANAS BEIGAS

- Atslēdziet akumulatoru lādētāju no barošanas tīkla atslēdzot barošanas vadu no tīkla rozetes.
- Atvienojiet melnu lādēšanas spaiļi no mašīnas korpusa vai no akumulatora negatīvā pieslēga (simbols -).
- Atvienojiet sarkanu lādēšanas spaiļi no akumulatora pozitīvā pieslēga (simbols +).
- Novietojiet akumulatoru lādētāju sausā vietā.
- Aiztaisiet akumulatora elementus ar atbilstošajiem vāciņiem (ja ir).

5. AKUMULATORU LĀDĒTĀJA

AIZSARGIERĪCES (ZĪM. B)

Akumulatoru lādētājs ir aprīkots ar aizsargierīcēm, kuras iedarbojas sekojošajos gadījumos:

- Pārslodze (pārmērīga strāvas emitēšana akumulatora virzienā).
- Īssavienojums (uzlādēšanas spaiļes pieskaras viena otrai).
- Akumulatora spaiļu polaritātes sajaukšana.
- Ja ierīce ir aprīkota ar drošinātājiem, tad mainot tos ir jāizmanto drošinātāji ar līdzīgiem nominālās strāvas rādītājiem.



UZMANĪBU: Izmantojot nomaīnai drošinātājus, kuru strāvas nominālvērtība atšķiras no tehniskajā apliecībā norādītās, var rašties cilvēku ievainošanas vai mantas bojājuma risks. Šī iemesla dēļ ir kategoriski aizliegts drošinātāju vietā izmantot vara tīlņus vai citus materiālus.

Mainot drošinātāju, barošanas vadam vienmēr ir jābūt **ATSLĒGTAM** no tīkla.

Iekšēja aizsardzības drošinātāja nomaīna (ZĪM. C)

- 1 - Atslēdziet barošanas vadu no tīkla.
- 2 - Atveriet akumulatoru lādētāju.
- 3 - Nomaīniet drošinātāju ar citu drošinātāju, kuram ir tādi paši rādītāji.
- 4 - Aizveriet akumulatoru lādētāju.

РЪКОВОДСТВО С ИНСТРУКЦИИ ЗА ПОЛЗВАНЕ



ВНИМАНИЕ: ПРЕДИ ДА ИЗПОЛЗВАТЕ ЗАРЯДНОТО УСТРОЙСТВО, ПРОЧЕТЕТЕ ВНИМАТЕЛНО РЪКОВОДСТВОТО С ИНСТРУКЦИИ!

1. ОБЩА БЕЗОПАСНОСТ ПРИ УПОТРЕБА НА ТОВА ЗАРЯДНО УСТРОЙСТВО



- При зареждане, акумулаторите отделят експлозивни газове, внимавайте да не се образуват искри или да се възпламенят. НЕ ПУШЕТЕ.
- Поставете акумулаторите, които се зареждат на проветриво място.



- Неопитните лица трябва да получат съответното обучение преди да използват апарата.
- Лицата (включително и децата), чиито физически, сетивни и умствени способности не са достатъчни за правилното използване на апарата, трябва да бъдат наблюдавани от лице, което отговаря за тяхната безопасност по време на неговата употреба.
- Децата трябва да са под наблюдение, за да сте убедени, че не играят с апарата.
- Зарядните устройства да се използват преди всичко в добре проветрени помещения: ДА НЕ СЕ ОСТАВЯТ ДА РАБОТЯТ ДИРЕКТНО ПОД ДЪЖДА ИЛИ СНЕГА.
- Извадете захранващия кабел от мрежата, преди да свържете или махнете кабелите за зареждане на акумулатора.
- Не свързвайте, нито махайте щипките от акумулатора при работещо зарядно устройство.
- Никога не използвайте зарядното устройство на акумулатора във вътрешността на автомобила или в багажника.
- При смяна на захранващия кабел, подменяйте го единствено с оригинален кабел.
- Не използвайте зарядното устройство, за зареждане на акумулатори, които не се зареждат.
- Проверете, дали захранващото напрежение, налично на работното място, отговаря на напрежението, посочено на табелата с технически данни върху зарядното устройство.
- За да не повредите електронната система на автомобила, прочетете, спазвайте и изпълнявайте стриктно препоръките на производителя на автомобила, когато се използва зарядното устройство, както за зареждане, така и за първоначално пускане на акумулатора, същото важи и за препоръките на производителя на акумулатори.
- Това зарядно устройство за акумулатори включва такива части като превключватели и релета, които могат да предизвикат появата на дъга или искри; затова, ако използвате зарядното устройство в гараж или друго подобно помещение, поставете го на подходящо за съхранението му, място.
- Операции, свързани с поправка или поддръжка във вътрешната част на зарядното устройство, трябва

да бъдат извършвани само от квалифициран персонал.

- **ВНИМАНИЕ: ИЗВАЖДАЙТЕ ВНАГИ ЗАХРАНВАЩИЯ КАБЕЛ ОТ МРЕЖАТА, ПРЕДИ ДА ИЗВЪРШИТЕ, КАКВАТО И ДА Е ОПЕРАЦИЯ ПО ПОДДРЪЖКАТА НА ЗАРЯДНОТО УСТРОЙСТВО, В ПРОТИВЕН СЛУЧАЙ СЪЩЕСТВУВА ОПАСНОСТИ!**

2. УВОД И ОБЩО ОПИСАНИЕ

- Това зарядно устройство служи за зареждане на оловни акумулатори със свободен електролит, които се използват при автомобили с двигател (бензин или дизел), мотоциклети и моторни подки и др.
- Зареждащи се акумулатори според напрежението на изхода, с което се разполага: 6V / 3 клетки; 12V / 6 клетки; 24V / 12 клетки.
- Зарядния ток, подаван от зарядното устройство се понижава според характеристикната крива W и според нормата DIN 41774).

3. ИНСТАЛИРАНЕ ПОСТАВЯНЕ НА ЗАРЯДНОТО УСТРОЙСТВО АКУМУЛАТОР

- Повреме на работа, поставете зарядното устройство в стабилно положение и проверете, да не би да е възпрепятствано преминаването на въздуха през съответните отвори, което гарантира нужната вентилация.

СВЪРЗВАНЕ С МРЕЖАТА

- Зарядното устройство трябва да бъде свързано единствено със захранваща система с неутрален заземен проводник.
- Проверете, дали напрежението на мрежата съответства на напрежението за работа.
- Захранващата линия трябва да бъде снабдена със системи за безопасност като предпазители или автоматични превключватели, достатъчни, за да понесат максимално поглъщане на ток от апарата.
- Свързването с мрежата да става със съответния кабел.
- Евентуалните удължения на захранващия кабел трябва да имат съответното сечение и никога по малко от това на доставения кабел.

4. РАБОТА ПОДГОТОВКА ЗА ЗАРЕЖДАНЕ ЗАБЕЛЕЖКА: ПРЕДИ ДА ПРИСТЪПИТЕ КЪМ ЗАРЕЖДАНЕ, ПРОВЕРЕТЕ ДАЛИ МОЩНОСТТА НА АКУМУЛАТОРИТЕ (Ah), КОИТО МОГАТ ДА СЕ ЗАРЕЖДАТ, НЕ Е ПО НИСКА ОТ ТАЗИ, УКАЗАНА В ТАБЕЛАТА С ТЕХНИЧЕСКИТЕ ДАННИ (С МИН).

Стриктно изпълнявайте, по долу, изложените инструкции.

- Махнете капациите на акумулатора (ако има такива), така газовете, които се получават при зареждането могат да излезнат навън.
- Проверете дали нивото на електролита покрива пластините на акумулатора; ако са открити, добавете дестилирана вода, докато се покрият с 5-10 мм.



ВНИМАНИЕ! БЪДЕТЕ МНОГО ВНИМАТЕЛНИ ПРИ ТАЗИ ОПЕРАЦИЯ, ТЪЙ КАТО ЕЛЕКТРОЛИТА Е КИСЕЛИНА, СЪС СИЛНО КОРОЗИВНО ДЕЙСТВИЕ.

- При изключен от мрежата захранващ кабел, нагласете с помощта на копчето за зареждане на 6/12V или 12/24V (ако има такова), според номиналното напрежение на акумулатора, който трябва да се зареди.
- Проверете полярността на клемите на акумулатора: положителен полюс, символ + и отрицателен, символ -.
- **ЗАБЕЛЕЖКА:** ако символите трудно се различават, напомняме, че положителната клема е тази, която не е свързана с шасито на колата.
- Съединете червената щипка за зареждане с положителната клема на акумулатора (символ +).

- Съединете черната щипка за зареждане с шасито на колата, далеч от акумулатора и тръбопровода за горивото.
- ЗАБЕЛЕЖКА:** Ако акумулатора не е поставен в колата, да се свърже директно с отрицателната клемма на акумулатора (символ -).

- 2- Отворете зарядното устройство.
- 3- Подменете предпазителя с друг, който има същите величини.
- 4- Затворете зарядното устройство.


ЗАРЕЖДАНЕ

- Захранването на зарядното устройство става, като се включи захранващия кабел в контакта на мрежата.
- Амперметъра (ако има такъв) показва тока за зареждане на акумулатора (в ампери): повреме на тази фаза ще забележите, че показанията на амперметъра бавно ще спадат до много ниски стойности, според мощността и състоянието на акумулатора.

ФИГ.А

ЗАБЕЛЕЖКА: Когато акумулатора е зареден може да се забележи начало на "кипене" на течността, която се намира в него. Препоръчва се да се прекъсне зареждането още в началото на това явление, за да се избегне повреда на акумулатора.

ВНИМАНИЕ: ХЕРМЕТИЧНИ АКУМУЛАТОРИ

 **Ако се наложи зареждането на такъв тип акумулатори, бъдете много внимателни. Извършете много бавно зареждане, като непрекъснато контролирате напрежението на клемите на акумулатора. Когато това напрежение, което лесно може да се определи с помощта на обикновен уред - тестер, достигне до 14,4 V за акумулатори от 1 2V (7,2 V за акумулатори от 6 V и 28,8 V за акумулатори от 24 V), се препоръчва зареждането да се прекрати.**


КРАЙ НА ЗАРЕЖДАНЕТО

- Да се спре захранването на зарядното устройство като се изключи кабела от мрежата.
- Махнете черната щипка за зареждане от шасито на колата или от отрицателната клемма (символ -).
- Махнете червената щипка за зареждане от положителната клемма на акумулатора (символ +).
- Поставете отново зарядното устройство на сухо място.
- Затворете отново клетките на акумулатора със съответните тапи (ако има такива).

5. ЗАЩИТИ НА ЗАРЯДНОТО УСТРОЙСТВО (ФИГ.В)

Зарядното устройство е снабдено със защита, която се задейства в случай на:

- Свърхнатоварване (свърх подаване на ток към акумулатора).
- Късо съединение (щипките на зарядното, поставени в контакт една с друга).
- Смяна на полярността върху клемите на акумулатора.
- В апаратите, снабдени с предпазители, в случай на подмяна е задължително да се използват аналогични предпазители, които имат същите стойности номинален ток.

 **ВНИМАНИЕ: Смяната на предпазител с различни стойности на номиналния ток, посочени върху табелата с техническите характеристиките може да предизвика увреждания върху хора или повреди на предмети. Поради същата причина, в никакъв случай не подменяйте с препазители с меден мост или друг материал. Подмяната на предпазителите става винаги при ИЗКЛЮЧЕН от мрежата захранващ кабел.**

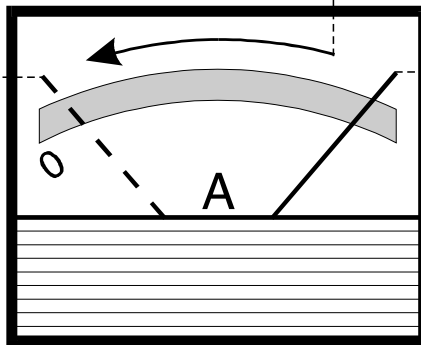
Смяна на предпазител от вътрешната защита (ФИГ.С)

- 1- Изключете захранващия кабел от мрежата.

FIG. A

GB CHARGE END
I FINE CARICA
F FIN CHARGE
D ENDELADUNG
NL EINDE LADEN
E FIN DE CARGA
P FINAL DA CARGA
DK LADNING FÆRDIG
SF LATAUS SUORITETTU
N LADING FERDIG
S LADDNING SLUTFÖRD
GR ΤΕΛΟΣ ΦΟΡΤΙΣΗΣ
RU КОНЕЦ ЗАРЯДА
H TÖLTÉS VÉGE
RO SFÂRȘITUL OPERAȚIEI DE ÎNCĂRCARE A BATERIEI
PL KONIEC ŁADOWANIA
CZ UKONČENÍ NABÍJENÍ
SK UKONČENIE NABÍJANIA
SI ZAKLJUČEK POLNJENJA
HR/SCG KRAJ PUNJENJA
LT ĄKROVIMO PABAIGA
EE LAADIMISE LÖPP
LV UZLĀDĒŠANAS BEIGAS
BG КРАЙ НА ЗАРЕЖДАНЕТО

GB DURING THE CHARGE
I DURANTE LA CARICA
F LORS DE LA CHARGE
D WAEHREND LADUNG
NL TIJDENS HET LADEN
E DURANTE LA CARGA
P DURANTE A CARGA
DK LADNING IGANG
SF LATAUS KÄYNNISSÄ
N LADING PĀGĀR
S LADDNING PĀGĀR
GR ΚΑΤΑ ΤΗ ΔΙΑΡΚΕΙΑ ΦΟΡΤΙΣΗΣ
RU ВО ВРЕМЯ ЗАРЯДА
H ATÖLTÉS IDEJE ALATT
RO ÎN TIMPUL OPERAȚIEI DE ÎNCĂRCARE
PL PODCZAS ŁADOWANIA
CZ NABÍJENÍ
SK NABÍJANIE
SI V ČASU POLNJENJA
HR/SCG TIJEKOM PUNJENJA
LT ĄKROVIMO METU
EE LAADIMISE JOOKSUL
LV UZLĀDĒŠANAS LAIKĀ
BG ПОВРЕМЕ НА ЗАРЕЖДАНЕТО



GB INITIALLY
I INIZIALMENTE
F INITIALEMENT
D AM ANFANG
NL BEGIN LADEN
E INICIALMENTE
P INICIALMENTE
DK LADESTART
SF LATAUKSEN ALKU
N LADESTART
S LADDNINGSSSTART
GR ΑΡΧΙΚΑ
RU В НАЧАЛЕ
H ATÖLTÉS KEZDETEKOR
RO MOMENTUL ÎNȚIAL
PL POZCZĄTEK ŁADOWANIA
CZ PŘED NABÍJENÍM
SK PRED NABÍJANÍM
SI UVODNO
HR/SCG NA POČETKU
LT PRADŽIOJE
EE ALUSTADES
LV SĀKUMĀ
BG В НАЧАЛОТО

FIG. B

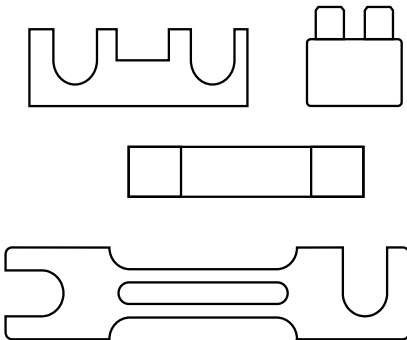
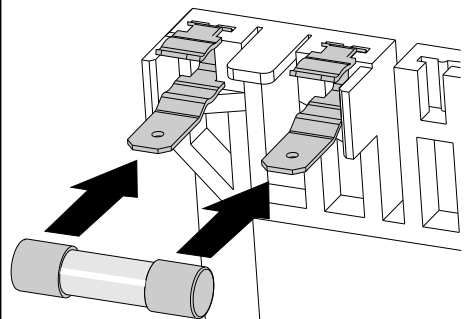


FIG. C



(GB) GUARANTEE

The manufacturer guarantees proper operation of the machines and undertakes to replace free of charge any parts should they be damaged due to poor quality of materials or manufacturing defects within 12 months of the date of commissioning of the machine, when proven by certification. Returned machines, also under guarantee, should be dispatched CARRIAGE PAID and will be returned CARRIAGE FORWARD. This with the exception of, as decreed, machines considered as consumer goods according to European directive 1999/44/EC, only when sold in member states of the EU. The guarantee certificate is only valid when accompanied by an official receipt or delivery note. Problems arising from improper use, tampering or negligence are excluded from the guarantee. Furthermore, the manufacturer declines any liability for all direct or indirect damages.

(I) GARANZIA

La ditta costruttrice si rende garante del buon funzionamento delle macchine e si impegna ad effettuare gratuitamente la sostituzione dei pezzi che si deteriorassero per cattiva qualità di materiale e per difetti di costruzione entro 12 mesi dalla data di messa in funzione della macchina, comprovata sul certificato. Le macchine rese, anche se in garanzia, dovranno essere spedite in PORTO FRANCO e verranno restituite in PORTO ASSEGNATO. Fanno eccezione, a quanto stabilito, le macchine che rientrano come beni di consumo secondo la direttiva europea 1999/44/CE, solo se vendute negli stati membri della EU. Il certificato di garanzia ha validità solo se accompagnato da scontrino fiscale o bolla di consegna. Gli inconvenienti derivati da cattiva utilizzazione, manomissione o incuria, sono esclusi dalla garanzia. Inoltre si declina ogni responsabilità per tutti i danni diretti ed indiretti.

(F) GARANTIE

Le fabricant garantit le fonctionnement correct des machines et s'engage à remplacer gratuitement les composants endommagés à la suite d'une mauvaise qualité de matériel ou d'un défaut de fabrication durant une période de 12 mois à compter de la mise en service de la machine attestée par le certificat. Les machines rendues, même sous garantie, doivent être expédiées en PORT FRANCO et seront renvoyées en PORT DU. Font exception à cette règle les machines considérées comme biens de consommation selon la directive européenne 1999/44/CE et vendues aux états membres de l'EU uniquement. Le certificat de garantie n'est valable que s'il est accompagné de la preuve d'achat ou du bulletin de livraison. Tous les inconvénients dus à une utilisation incorrecte, une manipulation ou une négligence sont exclus de la garantie. La société décline en outre toute responsabilité pour tous les dommages directs ou indirects.

(D) GEWÄHRLEISTUNG

Der Hersteller übernimmt die Gewährleistung für den einwandfreien Betrieb der Maschinen und verpflichtet sich, solche Teile kostenlos zu ersetzen, die aufgrund schlechter Materialqualität und von Herstellungsfehlern innerhalb von 12 Monaten ab der Inbetriebnahme schadhaft werden. Als Nachweis der Inbetriebnahme gilt der Garantieschein. Werden Maschinen zurückgesendet, muß dies - auch im Rahmen der Gewährleistung - FRACHTFREI geschehen. Sie werden anschließend per FRACHTNACHNAME wieder zurückgesendet. Von den Regelungen ausgenommen sind Maschinen, die nach der Europäischen Richtlinie 1999/44/EG unter die Verbrauchsgüter fallen, und nur dann, wenn sie in einem Mitgliedstaat der EU verkauft worden sind. Der Garantieschein ist nur gültig, wenn ihm der Kassenbono oder der Lieferschein beiliegt. Unsere Gewährleistung bezieht sich nicht auf Schäden aufgrund fehlerhafter oder nachlässiger Behandlung oder aufgrund von Fremdeinwirkung. Außerdem wird jede Haftung für direkte und indirekte Schäden ausgeschlossen.

(E) GARANTIA

La empresa fabricante garantiza el buen funcionamiento de las máquinas y se compromete a efectuar gratuitamente la sustitución de las piezas que se deterioren por mala calidad del material y por defectos de fabricación en los 12 meses posteriores a la fecha de puesta en funcionamiento de la máquina, comprobada en el certificado. Las máquinas entregadas, incluso en garantía, deberán ser enviadas a PORTE PAGADO y se devolverán a PORTE DEBIDO. Son excepción, según cuanto establecido, las máquinas que se consideran bienes de consumo según la directiva europea 1999/44/CE sólo si han sido vendidas en los estados miembros de la UE. El certificado de garantía tiene validez sólo si está acompañado de resguardo fiscal o albarán de entrega. Los problemas derivados de una mala utilización, modificación o negligencia están excluidos de la garantía. Además, se declina cualquier responsabilidad por todos los daños directos e indirectos.

(P) GARANTIA

A empresa fabricante torna-se garante do bom funcionamento das máquinas e compromete-se a efectuar gratuitamente a substituição das peças que porventura se deteriorarem devido à má qualidade de material e por defeitos de fabricação no prazo de 12 meses da data de entrada da máquina em funcionamento, comprovada no certificado. As máquinas devolvidas, mesmo se em garantia, deverão ser despachadas em PORTO FRANCO e serão devolvidas em PORTE A PAGAR. São exceção, a quanto estabelecido, as máquinas que são consideradas como bens de consumo segundo a directiva europeia 1999/44/CE, somente se vendidas nos estados-membros da EU. O certificado de garantia tem validade somente se acompanhado pela nota fiscal ou conhecimento de entrega. Os inconvenientes decorrentes de utilização imprópria, adulteração ou descuido, são excluídos da garantia. Para além disso, o fabricante exime-se de qualquer responsabilidade para todos os danos directos e indirectos.

(NL) GARANTIE

De fabrikant is garant voor de goede werking van de machines en verplicht er zich toe gratis de vervanging uit te voeren van de stukken die afsluiten omwille van de slechte kwaliteit van het materiaal en omwille van fabricagefouten, binnen de 12 maanden vanaf de datum van in bedrijfsstelling van de machine, bevestigd op het certificaat. De gereturneerde machines, ook al zijn ze in garantie, moeten PORTVRIJ verzonden worden en zullen op KOSTEN BESTEMMELING teruggestuurd worden. Hierop maken een uitzondering de machines die vallen onder de verbruiksartikelen overeenkomstig de Europese richtlijn, 1999/44/EG, alleen indien ze verkocht zijn in de lidstaten van de EU. Het garantiecertificaat is alleen geldig indien het vergezeld is van de fiscale recu of van het ontvangstbewijs. De inconvenienten te wijten aan een slecht gebruik, schendingen of nalatigheid zijn uitgesloten uit de garantie. Bovendien wijst men alle verantwoordelijkheid af voor alle rechtstreekse en onrechtstreekse schade.

(DK) GARANTI

Producenten stiller garanti for, at maskinerne fungerer ordentligt, og forpligter sig til vederlagsfrit at udskifte de dele, der måtte fremvise defekter på grund af ringe materialekvalitet eller fabricationsfejl i løbet af de første 12 måneder efter maskinens idriftsættesdato, der fremgår af beviset. Selvom de returnerede maskiner er i garanti, skal de sendes FRANKO FRAGT, mens de tilbageleveres PR. EFTERKRÆV. Dette gælder dog ikke for de maskiner, der i henhold til Direktivet 1999/44/EØF udgør fragtvarer, men kun på betingelse af at de sælges i EU-landene. Garantibeviset er kun gyldigt, hvis der vedlægges en kassebono eller fragtpapirer. Garantien dækker ikke for forstyrrelser, der skyldes forkert anvendelse, manipulering eller skødesløshed. Producenten fralægger sig desuden ethvert ansvar for alle direkte og indirekte skader.

(SF) TAKUU

Valmistusyritys takaa koneiden hyvän toimivuuden sekä huolehtii huonolaatuisen materiaalin ja rakennusvirheiden takia huonontuneiden osien vaihdosta ilmaiseksi 12 kuukauden sisällä koneen käyttöönottopäivästä, mikä ilmenee sertifikaatista. Palautettavat koneet, myös takuussa olevat, on lähetettävä LAHETTAJAN KUSTANNUKSELLA ja ne palautetaan VASTAANOTTAJAN KUSTANNUKSELLA. Poikkeuksien muodostavat koneet, jotka asetuksissa kuuluvat kulutusyödykkeisiin eurooppalaisen direktiivin 1999/44/EC mukaan vain, jos ne myydään EU:n jäsen maissa. Takuutodistus on voimassa vain, jos siihen on liitetty verotuskuitti tai todistus tavaran toimituksesta. Takuu ei kata väärinkäyttöä, vaurioittamisesta tai huolimattomuudesta johtuvia haittoja. Lisäksi yritys kieltäytyy ottamasta vastuuta kaikista välittömistä tai välillisistä vaurioista.

(N) GARANTI

Tilverkaren garanterer maskinens korrekte funksjon og forplikter seg å utføre gratis bytte av deler som blir ødelagt på grunn av en dårlig kvalitet i materialer eller konstruksjonsfeil som oppstår innen 12 måneder fra maskinens igangsetting, i overensstemmelse med sertifikaatet. Maskiner som sendes tilbake, også i løpet av garantierioden, skal skikkes FRAKTFRITT og skal sendes tilbake MED BETALNING AV MOTTAKEREN, unntatt maskinene som tilhører forbrukningsvarer ifølge europadirektiv 1999/44/EC, kun hvis de selges i en av EU's medlemsstater. Garantisertifikatet er gyldig kun sammen med kvittering eller leveringsblankett. Feil som oppstår på grunn av galt bruk, manipulering eller slurv, er utelukket fra garantien. Dessuten frasier seg selskapet alt ansvar for alle direkte og indirekte skader.

(S) GARANTIA

Tilverkaren garanterar att maskinerna fungerar bra och åtar sig att kostnadsfritt byta ut delar som går sönder p.g.a. dålig materialkvalitet och defekter inom 12 månader efter idriftsättningen av maskinen, som ska styrkas av intyg. De maskiner som lämnas tillbaka, även om de täcks av garantin, måste skickas FRAKTFRITT, och kommer att skickas tillbaka PÅ MOTTAGARENS BEKOSTNAD. Ett undantag från detta utgörs av de maskiner som räknas som konsumtionsvaror enligt EU-direktiv 1999/44/EG, och då enbart om de har sålts till något av EU:s medlemsländer. Garantisdeln är bara giltig tillsammans med kvitto eller leveranssedel. Problem som beror på felaktig användning, åverkan eller vårdslöshet täcks inte av garantin. Tillverkaren fransäger sig även allt ansvar för direkta och indirekta skada.

(GR) ΕΓΓΥΗΣΗ

Η κατασκευαστική εταιρεία εγγυάται την καλή λειτουργία των μηχανών και δεσμεύεται να εκτελέσει δωρεάν την αντικατάσταση τμημάτων σε περίπτωση φθοράς τους εξαιτίας κακής ποιότητας υλικού ή ελαττωματικών κατασκευής, εντός 12 μηνών από την ημερομηνία θέσης σε λειτουργία του μηχανήματος επιβεβαιωμένη από το πιστοποιητικό. Τα μηχανήματα που επιστρέφονται, ακόμα και αν είναι σε εγγύηση, θα στέλνονται ΧΩΡΙΣ ΕΠΙΒΑΡΥΝΣΗ και θα επιστρέφονται με έξοδα ΠΛΗΡΩΤΕΑΣ ΤΟΝ ΠΡΟΟΡΙΣΜΟ. Εξαιρούνται από τα οριζόμενα τα μηχανήματα που αποτελούν καταναλωτικά αγαθά σύμφωνα με την ευρωπαϊκή οδηγία 1999/44/EC μόνο αν πωλούνται σε κράτη μέλη της ΕΕ. Το πιστοποιητικό εγγύησης ισχύει μόνο αν συνοδεύεται από επίσημη απόδειξη πληρωμής ή απόδειξη παραλαβής. Ενδεχομένα προβλήματα οφειλόμενα σε κακή χρήση, παραποίηση ή αμέλεια, αποκλείονται από την εγγύηση. Απορρίπτεται, επίσης, κάθε ευθύνη για οποιαδήποτε βλάβη άμεση ή έμμεση.

(RU) ГАРАНТИЯ

Компания-производитель гарантирует хорошую работу машинного оборудования и обязуется бесплатно произвести замену частей, имеющих неисправности, явившиеся следствием плохого качества материала или дефектов производства, в течении 12 месяцев с даты пуска в эксплуатацию машинного оборудования, предоставленного на сертификате. Возвращенное оборудование даже находящееся под действием гарантии, должно быть направлено на условиях ПОРТО ФРАНКО и будет возвращено в УКАЗАННОЕ МЕСТО. Из оговоренного выше исключается машинное оборудование, считающееся товарами потребления, в соответствии с европейской директивой 1999/44/ЕС, только в том случае, если они были проданы в государствах, входящих в ЕС. Гарантийный сертификат считается действительным только при условии, что к нему прилагается товарный чек или товаросопроводительная накладная. Неисправности, возникшие из-за неправильного использования, порчи или небрежного обращения, не покрываются действием гарантии. Дополнительно производитель снимает с себя любую ответственность за какой-либо прямой или непрямой ущерб.

(H) JÓTÁLLÁS

A gyártó cég jótállást vállal a gépnek rendeltetésszerű üzemeléséért illetve vállalja az alkatrészek ingyenes kicserélését ha azok az alapanyag rossz minőségéből valók illetve gyártási hibából erednek a gép üzemelés helyszínén a bizonylat szerinti igazolható garáncióval számított 12 hónap után belül. A cserélendő alkatrészeket még a jótállás keretében is BERMENTESEN kell visszaküldeni, amelyekre UTOVÉTEL lesznek a vevőhöz kiszállítva. Kivétel képeznek e szabály alól azon gépek, melyek az Európai Unió 1999/44/EC irányelve szerint meghatározott fogaztatási cikkek minőségűek, s az EU tagországaiiban kerültek értékesítésre. A jótállás csak a blokki igazolás illetve szállítótól mellékeltelev érvényes. A nem rendeltetésszerű használatból, megrongálásból illetve nem megfelelő gondossággal való kezeléssből eredő rendellenességek a jótállást kizárik. Kizárt továbbá bármilyen felelősségvállalás minden közvetlen és közvetett kárért.

(RO) GARANȚIE

Fabricantul garantează buna funcționare a aparatelor produse și se angajează la înlocuirea gratuită a pieselor care s-ar putea deteriora din cauza cauzărilor scadente la materialul sau din cauza defectelor de construcție în max. 12 luni de la data punerii în funcțiune a aparatului, dovedită cu certificatul de garanție. Aparatele sunt din garanție, chiar dacă sunt în garanție, se vor expedia FARA PLATA și se vor restitui CU PLATA APRIMIRE. Fac excepție, conform normelor, aparatele care se categorisesc ca și bunuri de consum, conform directivei europene 1999/44/EC, numai dacă acestea sunt vândute în statele membre din UE. Certificatul de garanție este valabil numai dacă este însoțit de bonul fiscal sau de fișa de livrare. Nefuncționarea cauzată de o utilizare improprie, manipulare inadecvată sau neglijență este exclusă din dreptul la garanție. În plus fabricantul își declină orice responsabilitate față de toate daunele provocate direct și indirect.

(PL) GWARANCJA

Producent gwarantuje prawidłowe funkcjonowanie urządzeń i zobowiązuje się do bezpłatnej wymiany części, które zepsują się w wyniku złej jakości materiału lub wad fabrycznych w ciągu 12 miesięcy od daty uruchomienia urządzenia, poświadczonych na gwarancji. Urządzenia przesłane do Producenta, również w okresie gwarancji, należy wysłać na warunkach PORTO FRANKO, po naprawie zostaną one zwrócone na koszt odbiorcy. Zgodnie z ustaleniami wyjątkiem są te urządzenia, które są odsyłane jako dobra konsumpcyjne, zgodnie z dyrektywą europejską 1999/44/WE, wyłącznie, jeżeli zostały sprzedane w krajach członkowskich UE. Kartą gwarancyjną jest ważna wyłącznie, jeżeli towarzyszy jej kwit fiskalny lub dowód dostawy. Trudności wynikające z nieprawidłowego użytkowania, naruszenia lub niedbalosci o urządzenie nie są objęte gwarancją. Producent nie ponosi odpowiedzialności za wszelkie szkody pośrednie i bezpośrednie.

(CZ) ŽÁRUKA

Výrobce ručí za správnou činnosť stroju a zavazuje sa provést bezplatnú výmenu dlhú opotrebovaných z dôvodu špatnej kvality materiálu a následkom konštrukčných vad do 12 mesiacov od dátum uvedení stroja do provozu, uvedeného na záručnom listě. Vracené stroje a to i v záruční době musí být odeslány se ZAPLACENÝM POSTOVNÝM a budou vráceny na NAKLADY PRÍJEMCE. Na základě dohody tvoří výjimku stroje spadající do spotřebního majetku ve smyslu směrnice 1999/44/ES pouze za předpokladu, že byly prodány v členských státech EU. Záručný list má platnost pouze v případě, že je předloženo spolu s účtenkou nebo dodacím listem. Poruchy vyplývající z nesprávného použití, úmyslného poškození nebo chybějící péče nespádají do záruky. Odpovědnost se dělá s výjimkou na všechny přímé a nepřímé škody.

(SK) ŽÁRUKA

Výrobca ručí za správnú činnosť strojov a zaväzuje sa vykonať bezplatnú výmenu dielov opotrebovaných z dôvodu złej kvality materiálu a následkom konštrukčných vad do 12 mesiacov od dátumu uvedenia stroja do prevádzky, uvedeného na záručnom liste. Vratené stroje a to i v podmienkach záručnej doby musia byť odoslané so ZAPLACENÝM POSTOVNÝM a budú vrátené na NAKLADY PRÍJEMCU. Na základe dohody výnimku tvoria stroje spadajúce do spotrebného majetku, v zmysle smernice 1999/44/ES, len za predpokladu, že boli predané v členských štátoch EÚ. Záručný list je platný len v prípade, keď je predložený spolu s účtenkou alebo dodacím listom. Poruchy vyplývajúce z nesprávneho použitia, neoprávneného zásahu alebo nedostatočnej starostlivosti nespádajú do záruky. Zodpovednosť sa ďalej nevzťahuje na všetky priame i nepriame škody.

(SI) GARANCIJA

Proizvajalec zagotavlja pravilno delovanje strojev in se zavezuje, da bo brezplačno zamenjal dele, ki se bodo obrabili zaradi slabe kakovosti materiala in zaradi napak pri proizvodnji v roku 12 mesecev od dne začetka delovanja stroja, ki je naveden na certifikatu. Stroje tudi če zanje še velja garancija, je treba poslati do proizvajalca na stroške stranke in bodo na stroške stranke le-tej tudi vrnjeni. Izjema so stroji, ki so del potrošnih dobrin v skladu z evropsko direktivo 1999/44/EC, le če so bili prodani v državi članici EU. Garancijsko potrdilo je veljavno le, če sta mu priložena veljavna račun ali prevzemnica. Neprijetnosti, ki izhajajo iz nepravilne uporabe, posegov ali malomarnosti, garancija ne pokriva. Poleg tega proizvajalec zavrača odgovornost za vse neposredne in posredne poškodbe.

(HR/SCG) GARANCIJA

Proizvođač garantira ispravan rad strojeva i obavezuje se izvršiti besplatno zamjenu dijelova koji su oštećeni zbog loše kvalitete materijala i zbog tvorničkih grešaka, a u roku od 12 mjeseci od dana pokretanja stroja, koji je potvrđen na garantnom listu. Vraćeni strojevi, i ako su pod garancijom, moraju biti poslani bez plaćanja troškova prijevoza. Iznimka su strojevi koji se vraćaju kao potrošni materijal, u skladu sa Europskom odredbom 1999/44/EC, samo ako su prodani zemljama članicama EU-a. Garantni list vrijedi samo ako je popraćen računom ili dostavnom listom. Oštećenja nastala uslijed neispravne upotrebe, izmjena izvršenih na stroju ili nemara nisu pokriveni garancijom. Proizvođač se ujedno odriče bilo kakve odgovornosti za sve izravne i neizravne štete.

(LT) GARANTIJA

Gaminiojas garantuoja nepriekiausiaj irenginio veikimai ir isipareigoja nemokamai pakeisti gaminio dalis, susidėveėjusias as susigadinusias dėl prastos medžiagos kokybės ar dėl konstrukcijos defektų 12 mėnesių laikotarpiu nuo įrenginio paleidimo datos, kuri turi būti palydyta pažymėjimu. Gražinami įrenginiai, net ir galiojant garantijai, turi būti siunčiami ir bus sugrąžinti atgal PIRKEJO lėšomis. Išimti aukščiau aprašyti sąlygai sudaro prietaisai, kurie pagal 1999/44/EC Europos direktyvą gali būti laikomi plataus vartojimo prekėmis bei yra pardoduami tik ES šalyse. Garantinis pažymėjimas galioja tik tuo atveju, jei yra lydimas fiskalinio čekio arba pristatymo dokumento. Į garantiją nėra įtraukti nesklaidumai, susiję su netinkamu prietaiso naudojimu, aplaidumu ar prasta jo priežiūra. Gaminiojas taip pat atsisrboja nuo atsakomybės už bet kokius tiesioginius ar netiesioginius nuostolius.

(EE) GARANTI

Toolajafirma vastutab masinate hea funktsioneerimise eest ja kohustus asendama tasuta osad, mis riknevad halva kvaliteediga materjali ja konstruktsioonidefektide tõttu, 12 kuu jooksul alates masina käikupanemise sertifikaadil tõestatud kuupäevast. Tagasi kaaldevaad masinad, ka kehtiva garantiaga, tuleb saata TASUTUD POSTIMAKSUGA ja nende tagastamise SAATEKULUD ON KAUBASAAJA TASUDA. Nagu kehtestatud, teevad erandi masinad, mis kuuluvad europa normatiivi 1999/44/EC kohaselt tarbekauba kategooriasse ja ainult siis, kui müüdüd EU liikmesriikides. Garantisertifikaat kehtib ainult koos ostu- või käitetoiimetamiskuludega. Garantii ei hõlma riknemisi, mis on põhjustatud eelnevalt väärast käsitsemisest, modifitseerimisest või hoolimatust kasutamisest. Peale selle ei vastuta firma kõigi otseste või kaudsete kahjude eest.

(LV) GARANTIJA

Ražotājs garantē mašīnu labu darbību un apņemas bez maksas nomainīt detaļas, kuras nodilst materiāla sliktas kvalitātes dēļ vai ražošanas defektu dēļ 12 mēnešu laikā kopā ar sertifikāta norādītā mašīnas ekspluatācijas sākuma datumu. Atpakaļ nosūtāmas mašīnas, pat to garantijas laikā, ir jānosūta saskaņā ar FRANKO-OSTA noteikumiem un ražotājs izs atgriezīs uz NORADĪTO OSTU. Minētie nosacījumi neattiecas uz mašīnām, kuras saskaņā ar Eiropas direktīvu 1999/44/EC tiek uzskatītas par patēriņa precī, bet tikai gadījumā, ja tās tiek pārdotas ES dalībvalstīs. Garantijas sertifikāts ir spēkā tikai kopā ar kases čeku vai pavaddziņi. Garantija neattiecas uz gadījumiem, kad bojājumi ir radušies nepareizās izmantošanas, noteikumu neievērošanas vai nolaidības dēļ. Turkiāt, šajā gadījumā ražotājs nopem jebkādu atbildību par tiešajiem un netiešajiem zaudējumiem.

(BG) ГАРАНЦИЯ

Фирмата производител гарантира за доброто функциониране на машините и се задължава да извърши безплатно подмяната на части, които са се повредили, заради некачествен материал или производствени дефекти, до 12 месеца от датата на пускане в действие на машината, доказана с гаранционна карта. Върнатите машини, дори и в гаранция, трябва да бъдат изпратени със ЗАПЛАТЕН ПРЕВОЗ и ще бъдат върнати с НАЛОЖЕН ПЛАТ. С изключение на машините, които се считат за дължително имущество за постоянна ползване, както е установено в европейската директива 1999/44/EC, само ако машините са продавани в страни членки на Европейския съюз. Гаранционната карта е валидна, само ако е придружена от фискален бон или разписка за доставка. Нередностите, произтичащи от лоша употреба или небрежност, са изключени от гаранцията. Освен това се отклонява всякаква отговорност за директни или индиректни щети.

| | | | | | |
|----|--------------------------|----|------------------------|--------|------------------------|
| GB | CERTIFICATE OF GUARANTEE | SF | TAKUUTODISTUS | CZ | ZÁRUČNÍ LIST |
| I | CERTIFICATO DI GARANZIA | N | GARANTIBEVIS | SK | ZÁRUČNÝ LIST |
| F | CERTIFICAT DE GARANTIE | S | GARANTISEDEL | SI | CERTIFICAT GARANCIJE |
| D | GARANTIEKARTE | GR | ΠΙΣΤΟΠΟΙΗΤΙΚΟ ΕΓΓΥΗΣΗΣ | HR/SCG | GARANTNI LIST |
| E | CERTIFICADO DE GARANTIA | RU | ГАРАНТИЙНЫЙ СЕРТИФИКАТ | LT | GARANTINIS PAŽYMĖJIMAS |
| P | CERTIFICADO DE GARANTIA | H | GARANCIALEVÉL | EE | GARANTISERTIFIKAAT |
| NL | GARANTIEBEWIJS | RO | CERTIFICAT DE GARANȚIE | LV | GARANTIJAS SERTIFIKĀTS |
| DK | GARANTIBEVIS | PL | CERTYFIKAT GWARANCJI | BG | ГАРАНЦИОННА КАРТА |

MOD./MONT/МОД./ŪRLAP/MUDEL / МОДЕЛ / Št/ Br.

GB Date of buying - I Data di acquisto - F Date d'achat - D Kaufdatum
 E Fecha de compra - P Data de compra - NL Datum van aankoop - DK Købsdato
 SF Ostoräivämäärä N Innkjøpsdato - S Inköpsdatum - GR Ημερομηνία αγοράς.
 RU Дата продажи - H Vásárlás kelte - RO Data achiziției - PL Data zakupu
 CZ Datum zakoupení - SK Datum zakúpenia - SI Datum nakupa - HR/SCG Datum kupnje
 LT Pirkimo data - EE Ostu kuupäev - LV Pirkšanas datums - BG ДАТА НА ПОКУПКАТА

NR./ΑΡΙΘΜ/ Ę./ Ć./HOMEP:

| | | | | | |
|----|--------------------|----------------------------|--------|------------------------|-------------------------|
| GB | Sales company | (Name and Signature) | RU | ШТАМП и ПОДПИСЬ | (ТОРГОВОГО ПРЕДПРИЯТИЯ) |
| I | Ditta rivenditrice | (Timbro e Firma) | H | Eladás helye | (Pecset és Aláírás) |
| F | Revendeur | (Chachet et Signature) | RO | Reprezentant comercial | (ștampila și semnătura) |
| D | Händler | (Stempel und Unterschrift) | PL | Firma odsprzedająca | (Pieczęć i Podpis) |
| E | Vendedor | (Nombre y sello) | CZ | Prodejce | (Razítko a podpis) |
| P | Revendedor | (Carimbo e Assinatura) | SK | Prodávca | (Pečiatka a podpis) |
| NL | Verkoper | (Stempel en naam) | SI | Prodajno podjetje | (Žig in podpis) |
| DK | Forhandler | (stempel og underskrift) | HR/SCG | Tvrtka prodavatelj | (Pečat i potpis) |
| SF | Jälleenmyyjä | (Leima ja Allekirjoitus) | LT | Pardavėjas | (Antspaudas ir Parašas) |
| N | Forhandler | (Stempel og underskrift) | EE | Edasimüügi firma | (Templ ja allkiri) |
| S | Återförsäljare | (Stämpel och Underskrift) | LV | Izplāftājs | (Zīmogs un paraksts) |
| GR | Κατάστημα πώλησης | (Σφραγίδα και υπογραφή) | BG | ПРОДАВАЧ | (Подпис и Печат) |



The product is in compliance with:

Il prodotto è conforme a:

Le produit est conforme aux:

Die maschine entspricht:

Het produkt overeenkomstig de:

El producto es conforme as:

O produto è conforme as:

At produktet er i overensstemmelse med:

Että laite mallia on yhdenmukainen direktiivissä:

At produktet er i overensstemmelse med:

Att produkten är i överensstämmelse med:

Το προϊόν είναι κατασκευασμένο σύμφωνα με τη:

Заявляется, что изделие соответствует:

A termék megfelel a következőknek:

Produsul este conform cu:

Produkt spełnia wymagania następujących Dyrektyw:

Výrobek je v súlade so:

Výrobek je ve shodě se:

Proizvod je v skladu z:

Proizvod je u skladu sa:

Produktas atitinka:

Toode on kooskõlas:

Izstrādājums atbilst:

Продуктът отговаря на:

DIRECTIVE - DIRETTIVA - DIRECTIVE - RICHTLINIE -
 RICHTLIJN - DIRECTIVA - DIRECTIVA - DIREKTIV -
 DIREKTIIVI - DIREKTIV - DIREKTIV - KATEYΘYNTHPPIA
 ΟΔΗΓΙΑ - ΔΙΡΕΚΤΙΒΕ - IRÁNYELV - DIRECTIVA -
 DYREKTYWA - SMERNICOU - NAPUTAK - DIREKTIVA -
 SMĚRNÍCÍ - DIREKTYVA - DIREKTIIVIGA - DIREKTÍVAI -
 ДИРЕКТИВА НА EC

LVD 2006/95/EC + Amdt.

STANDARD

EN 60335-2-29 + Amdt.
 EN 62233 + Amdt.

DIRECTIVE - DIRETTIVA - DIRECTIVE - RICHTLINIE -
 RICHTLIJN - DIRECTIVA - DIRECTIVA - DIREKTIV -
 DIREKTIIVI - DIREKTIV - DIREKTIV - KATEYΘYNTHPPIA
 ΟΔΗΓΙΑ - ΔΙΡΕΚΤΙΒΕ - IRÁNYELV - DIRECTIVA -
 DYREKTYWA - SMERNICOU - NAPUTAK - DIREKTIVA -
 SMĚRNÍCÍ - DIREKTYVA - DIREKTIIVIGA - DIREKTÍVAI -
 ДИРЕКТИВА НА EC

EMC 2004/108/EC + Amdt.

STANDARD

EN 55014-1-2 + Amdt.
 EN 61000-3-2 + Amdt.
 EN 61000-3-3 + Amdt.