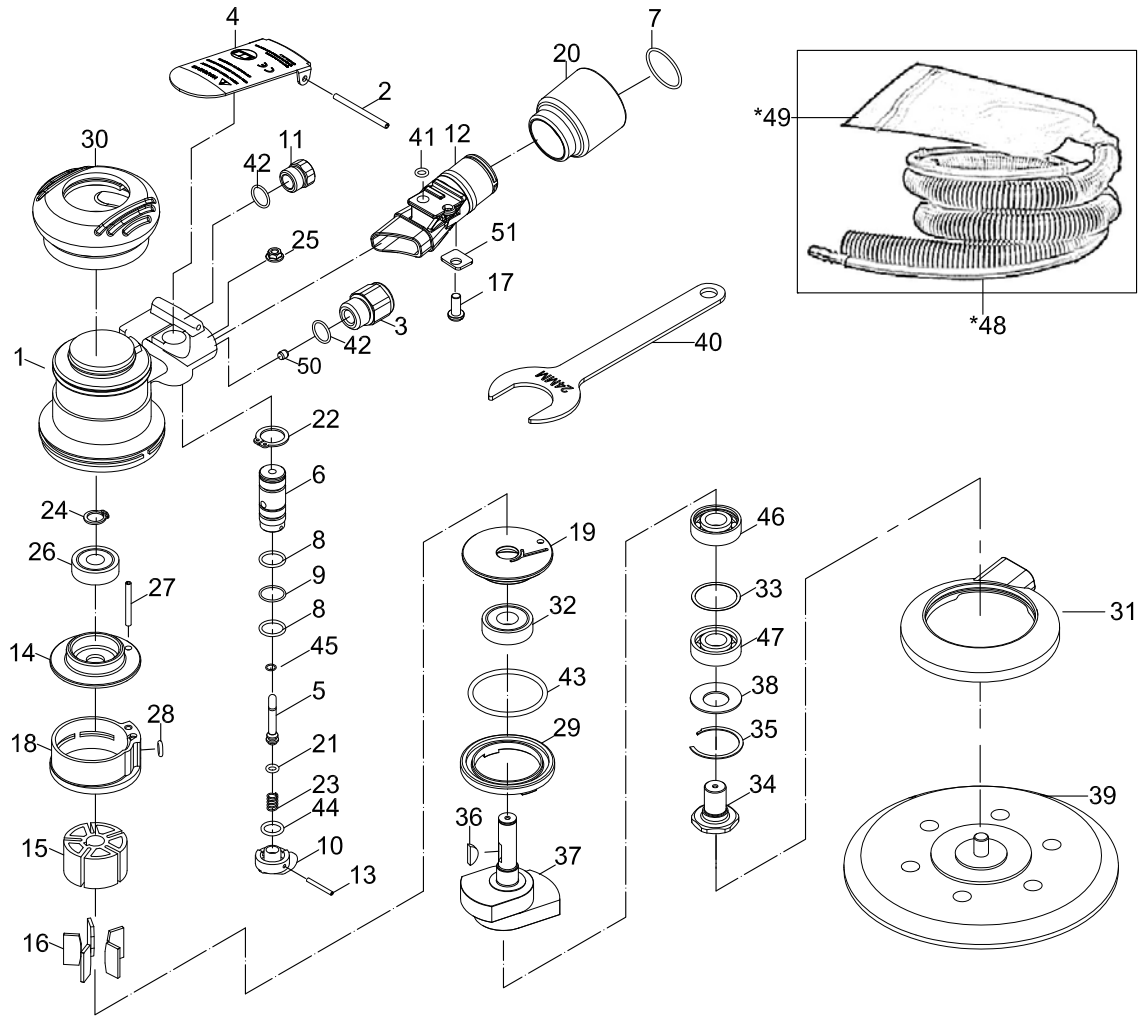


6" PALM SANDER



Index No.	Parts No.	Description	Index No.	Parts No.	Description
1	66-6133A01	Housing	27	SP03002800	Spring Pin (3×28)
2	SP03004000	Spring Pin (3×40L)	28	OR00500200	O-Ring (5×2)
3	66-6133C03	Air Inlet	29	66-6133C29	Lock Ring
4	66-6133C04	Throttle Lever	30	66-6133C30	Grip Hat
5	66-6133C05	Shaft	31	66-6135C31	Shroud
6	66-6133C06	Bushing	32	06001ZZ	Ball Bearing (6001ZZ)
7	OR02105105	O-Ring (21.5×1.5)	33	66-6132A13	Washer
8	OR01007105	O-Ring(2) (10.7×1.5)	34	66-6132A34	Shaft
9	52236	O-Ring (10.5×1)	35	60-613135	Snap Ring
10	66-6133C10	Regulator	36	61934	Key (3×13)
11	66-6133A10	Plug	37	66-6233A37	Balancer Shaft
12	66-6133A12	Adapter	38	60-613139	Washer
13	51542	Spring Pin (2×18L)	*39	60-613142	Pad (6")
14	66-6133C14	Rear End Plate	40	66-6132A54	Spanner
15	66-6132A15	Rotor	41	72804	O-Ring (6.5×1.5)
16	66-6132A16	Rotor Blade(5)	42	82247	O-Ring(2) (13.5×1.5)
17	66-6133A17	Screw (M5×12L)	43	OR03904301	O-Ring (39.4×3.1)
18	66-6133C18	Cylinder	44	40130	O-Ring (8.8×1.7)
19	66-6133C19	Front End Plate	45	OR00200100	O-Ring (2×1)
20	66-6133C20	Swivel Exhaust	46	06001	Ball Bearing (6001)
21	OR00307108	O-Ring (3.68×1.78)	47	06001P	Ball Bearing (6001P)
22	STW14	Retaining Ring (STW-14)	*48	EH-6133ASUB	Self-Vacuum
23	66-6133C08	Spring	*49	66-6132A47	Self-Vacuum Bag
24	66-6132A12	Retainer Ring	50	66-6133C22	Stopper
25	66-6133C32	Nut (M5×0.8)	51	66-6133A11	Washer
26	06000ZZ	Ball Bearing (6000ZZ)			

* optional part

66-6233A-0001